



VETRON

» PARTS LIST

09/2020

STANDARD 5064 | 5164

- » -2025
- » -2325
- » -3045
- » -3345

© **VETRON | TYPICAL GmbH**

Clara-Immerwahr-Str. 6
67661 Kaiserslautern, Germany

Tel.: +49 6301 320 75-0

Fax: +49 6301 320 75-11

info@vetrontypical.com

www.vetrontypical.com

All rights reserved.

The instructions for use, service instructions, parts lists are protected by copyright. Any reuse of the content outside the copyright is without the written consent of VETRON | Typical GmbH inadmissible and punishable.

VETRON | Typical GmbH is only liable for damage caused by intent or gross negligence on the part of the manufacturer. Moreover, liability is excluded.

Reserve technical changes!

The contents were carefully prepared and checked by the publisher. Due to continuous developments, illustrations, functional steps and technical data may differ slightly.

Updating the documentation

If you have suggestions for improvement or have detected any irregularities, please contact us.

 The documents for the machines can be accessed by logging on <https://www.vetrontypical.com/> downloaded for free.



04	GENREAL ADVICE	
05	OVERVIEW	
	ULTRASONIC WELDING	
07	01. HEAD MODULE	
	557 140 000 (Ø 25mm) // 557 141 000 (Ø 45mm)	
17	02. FRAME MODULE	
	STANDARD 557 005 000 (Ø 25mm) // 557 006 000 (Ø 45mm)	
	LONGARM 557 007 000 (Ø 25mm) // 557 008 000 (Ø 45mm)	
19	03. TECHNOLOGY MODULE	
	TITAN SONOTRODE 557 241 000 // STEEL SONOTRODE 557 242 000	
23	04. ELECTRONIC PARTS	
31	05. ULTRASONIC ACCESSORIES	
49	06. TABLE STAND	
51	INDEX - ULTRASONIC WELDING	

GENREAL ADVICE

At the time of printing, all information and illustrations in this document were up-to-date.

Technical changes without prior notice!

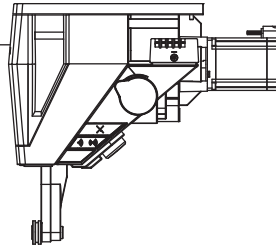


NOTE!

- » Please take note of, we will not be liable for spare parts and accessories, not purchased from us. These parts were neither examined by us, nor released. Consequently, the installation or use of these products can have a negative influence on features and your workflow of the machine.
- » We accept no liability for any damage caused by the use of non-original parts.
- » Parts which are boxed have a underlined number. These parts have a assembly part number!
- » The part numbers in the box can be seperately ordered.
- » Parts with a ★ means this part is new designed. The previous version is found at the end of the chapter. After consumption they will no longer be available.

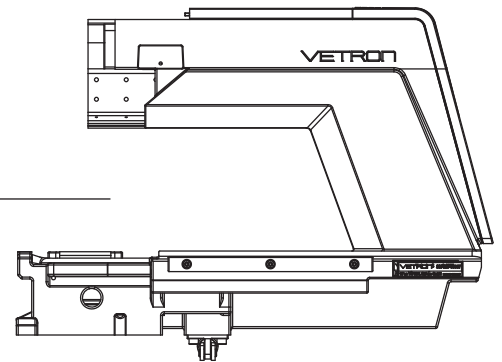
01. HEAD MODULE

557 140 000 // 557 141 000
p. 07



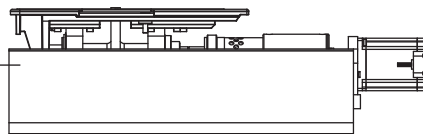
02. FRAME MODULE

557 005 000 // 557 006 000
557 007 000 // 557 008 000
p. 17



03. TECHNOLOGY MODULE

557 241 000 // 557 242 000
p. 19



04. ELECTRONIC PARTS

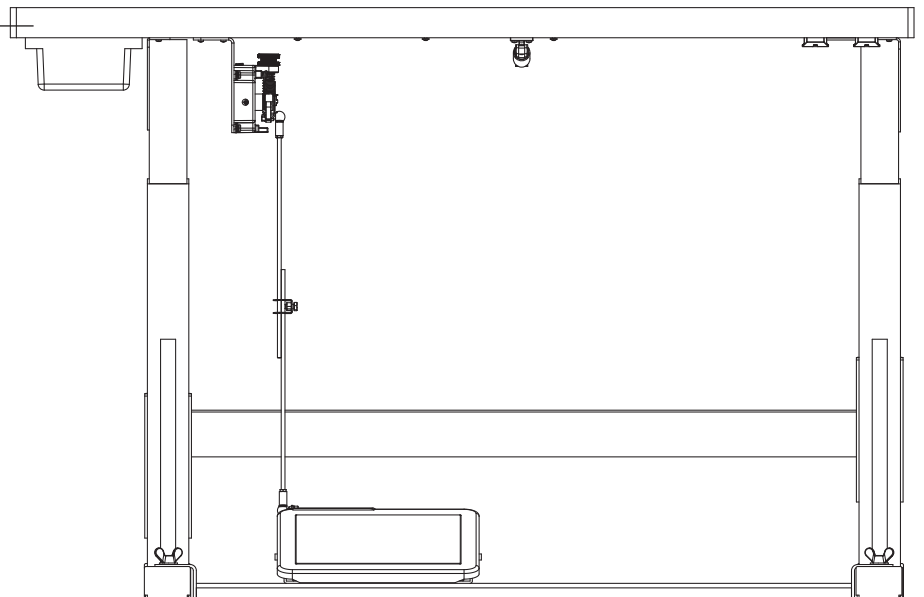
p. 23

05. ULTRASONIC ACCESSORIES

p. 31

06. TABLE STAND

p. 49



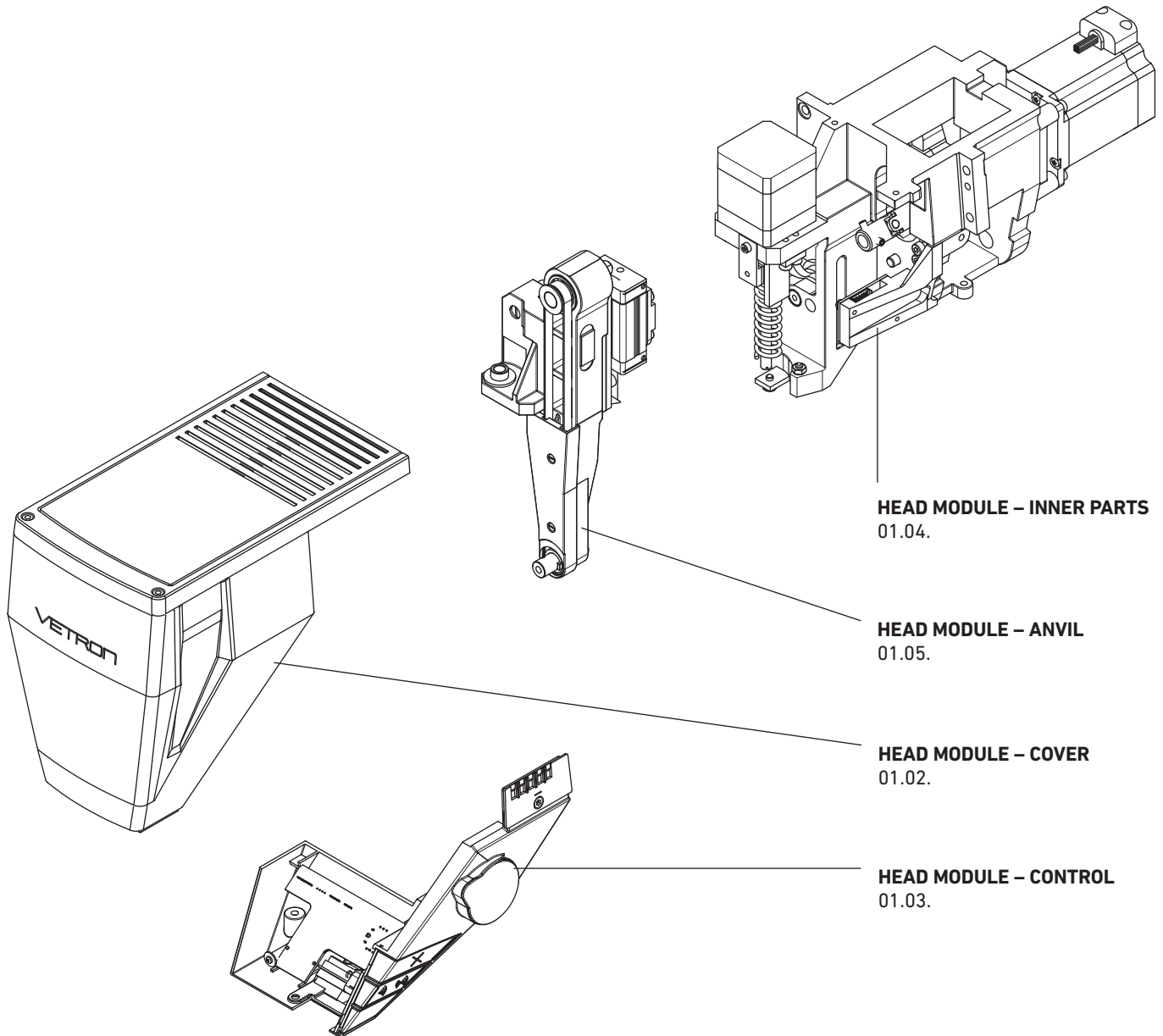
01. HEAD MODULE

557 140 000 (Ø 25mm) // 557 141 000 (Ø 45mm)

08	01. OVERVIEW	<hr/>
09	02. COVER	<hr/>
10	03. CONTROL 559 2080 09	<hr/>
11	04. INNER PARTS ONLY 557 140 000 (Ø 25mm)	<hr/>
12	04.01. INNER PARTS ONLY 557 141 000 (Ø 45mm)	<hr/>
13	04.02. INNER PARTS 557 140 000 (Ø 25mm) // 557 141 000 (Ø 45mm)	<hr/>
14	05. ANVIL 559 2188 09 (Ø 25mm) // 559 2144 09 (Ø 45mm)	<hr/>
15	05.01. ANVIL 559 2188 09 (Ø 25mm) // 559 2144 09 (Ø 45mm)	<hr/>

01. HEAD MODULE

01. OVERVIEW



HEAD MODULE – INNER PARTS
01.04.

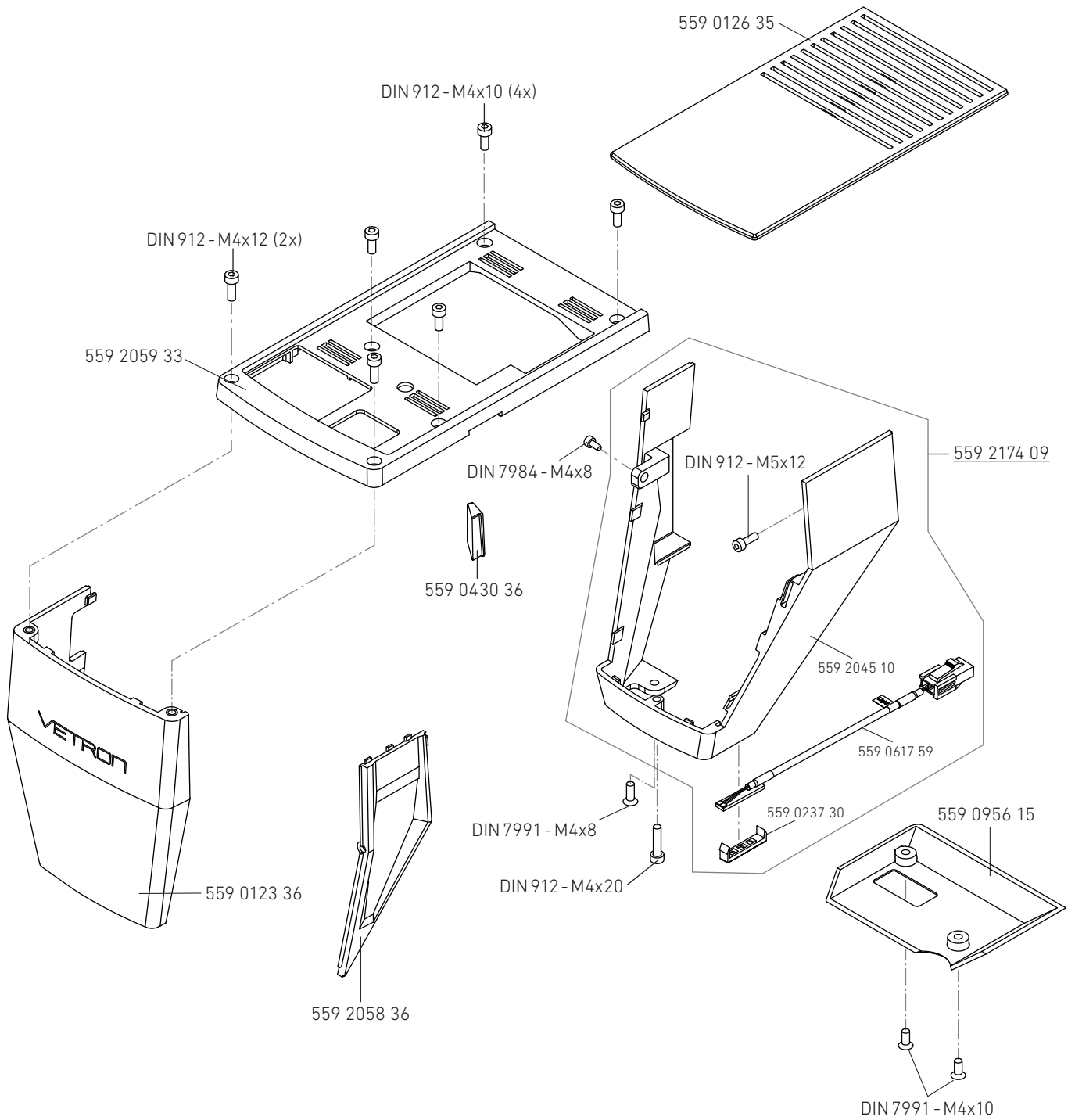
HEAD MODULE – ANVIL
01.05.

HEAD MODULE – COVER
01.02.

HEAD MODULE – CONTROL
01.03.

01. HEAD MODULE

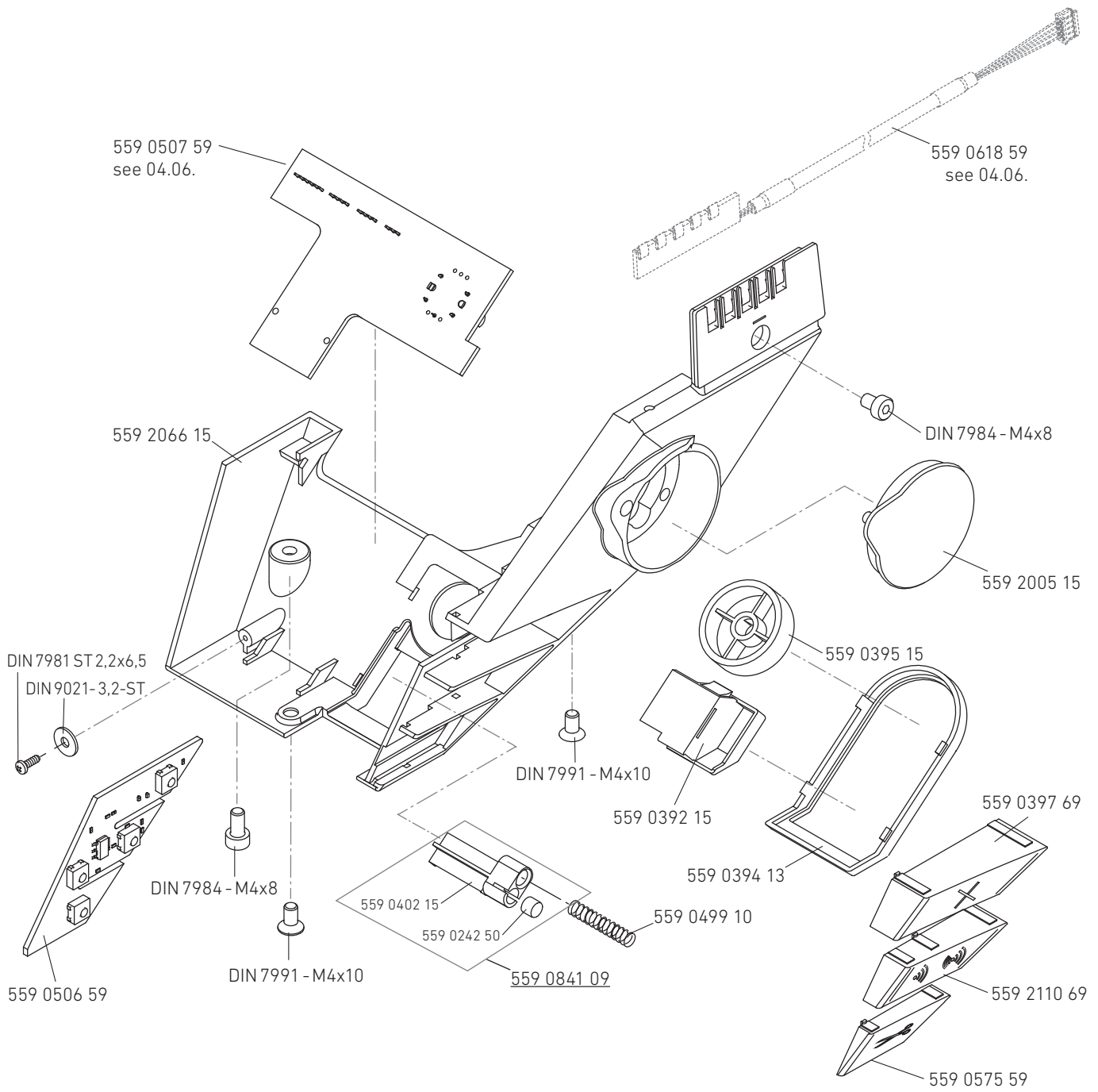
02. COVER



01. HEAD MODULE

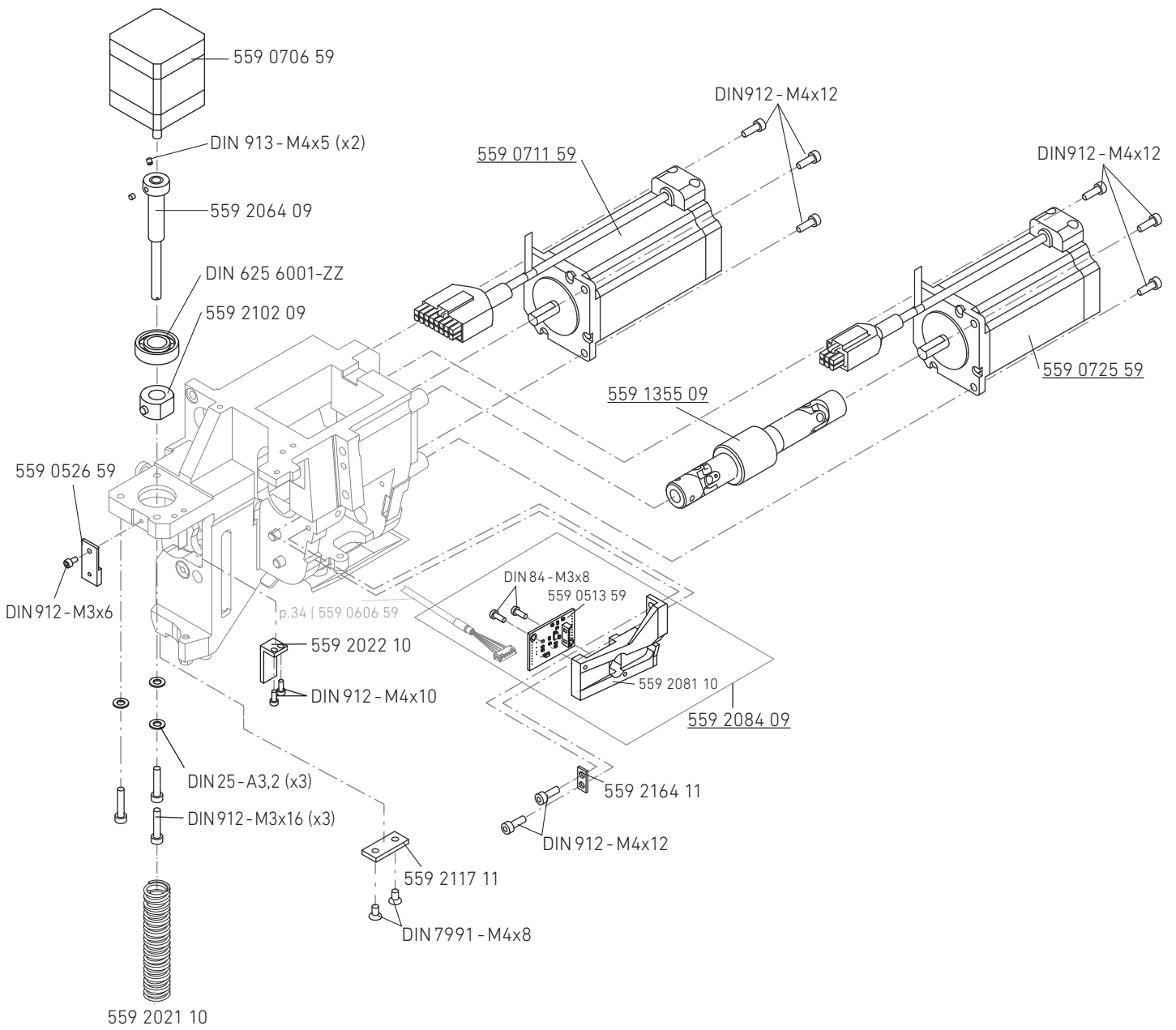
03. CONTROL 559 2080 09

! Cable of the 559 0507 59 Head-Base PCB can be found in chapter 04.06. Electronic Parts on page 29



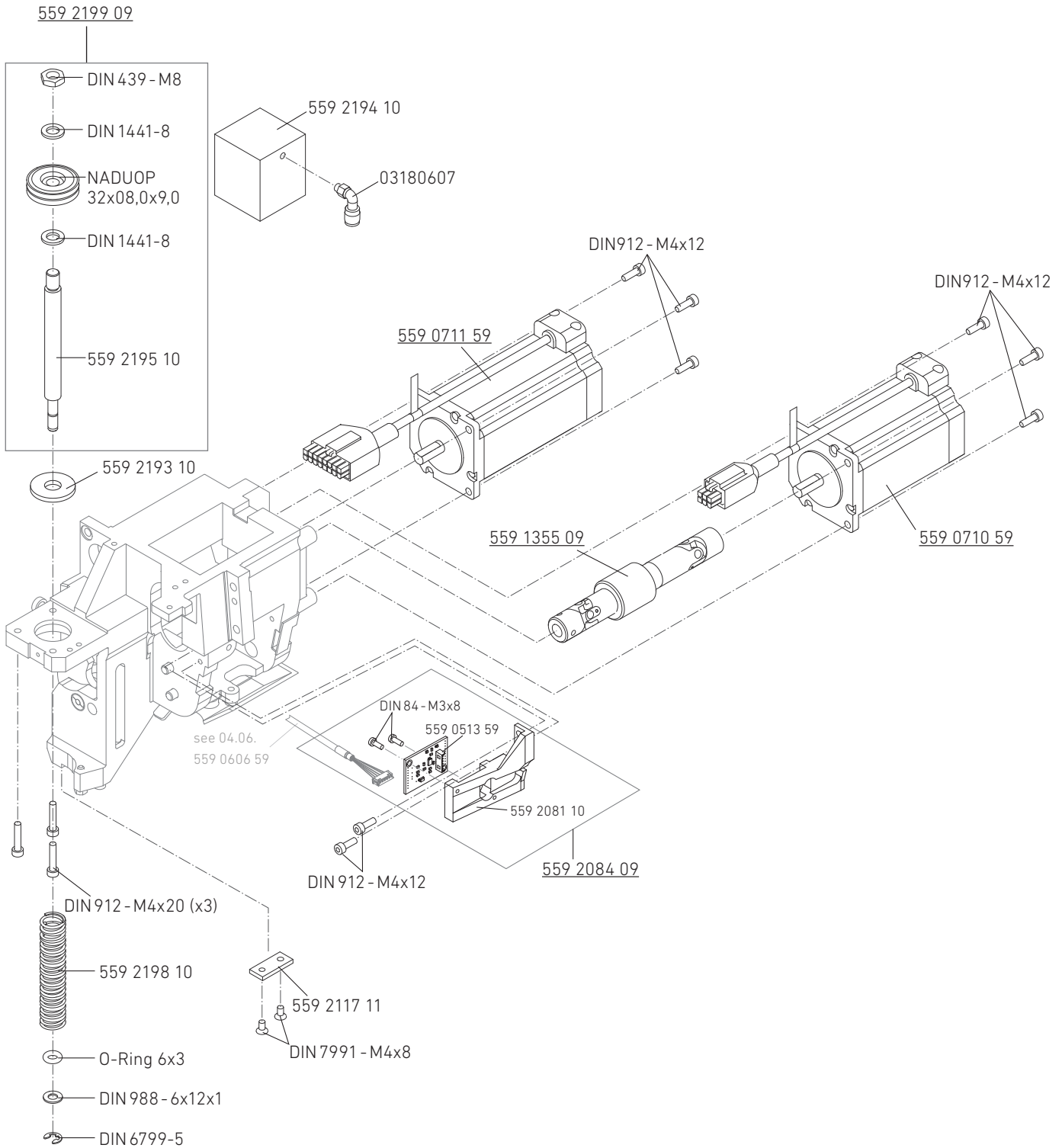
01. HEAD MODULE

04. INNER PARTS ONLY 557 140 000 (Ø25mm)



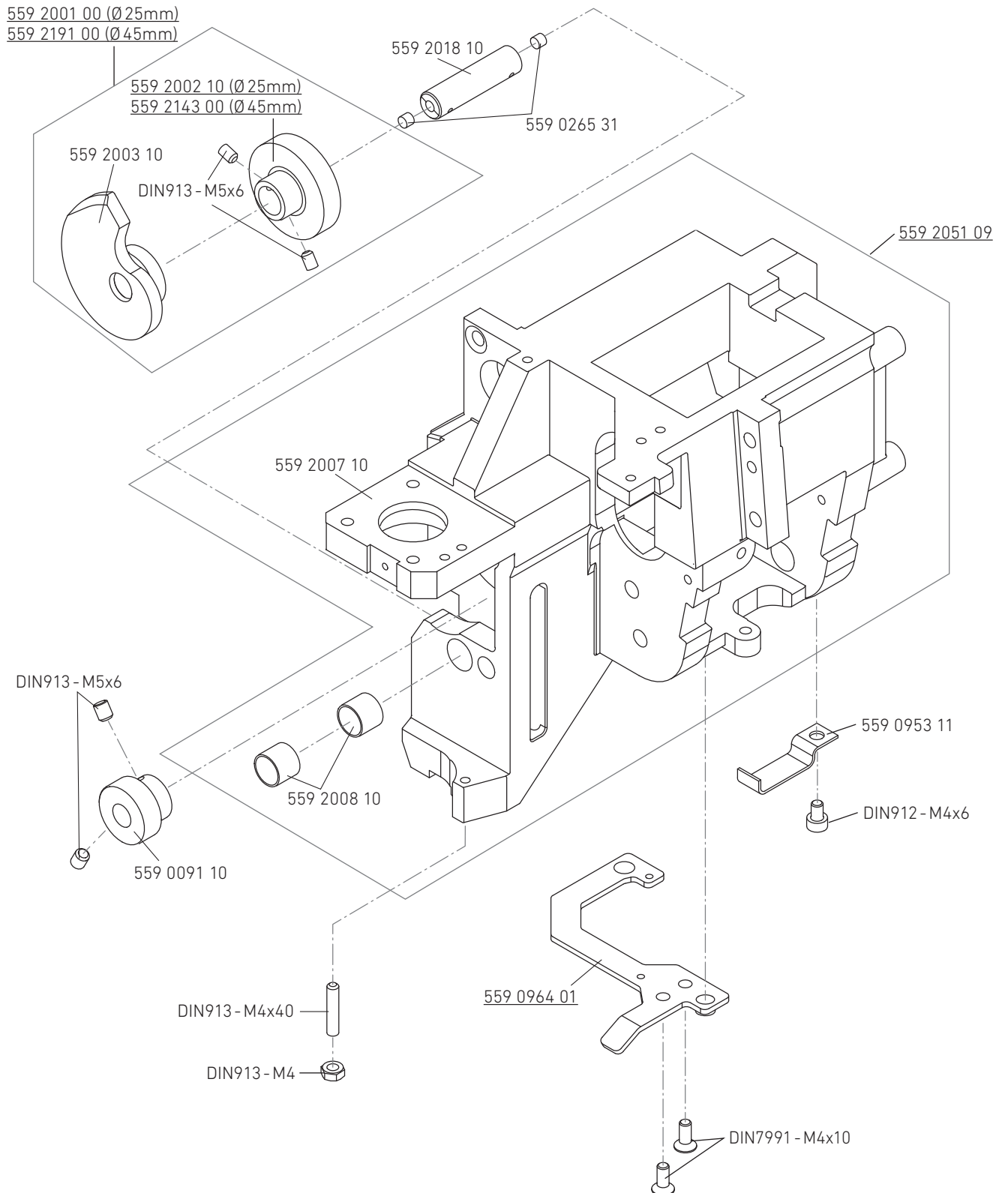
01. HEAD MODULE

04.01. INNER PARTS ONLY 557 141 000 (Ø 45mm)



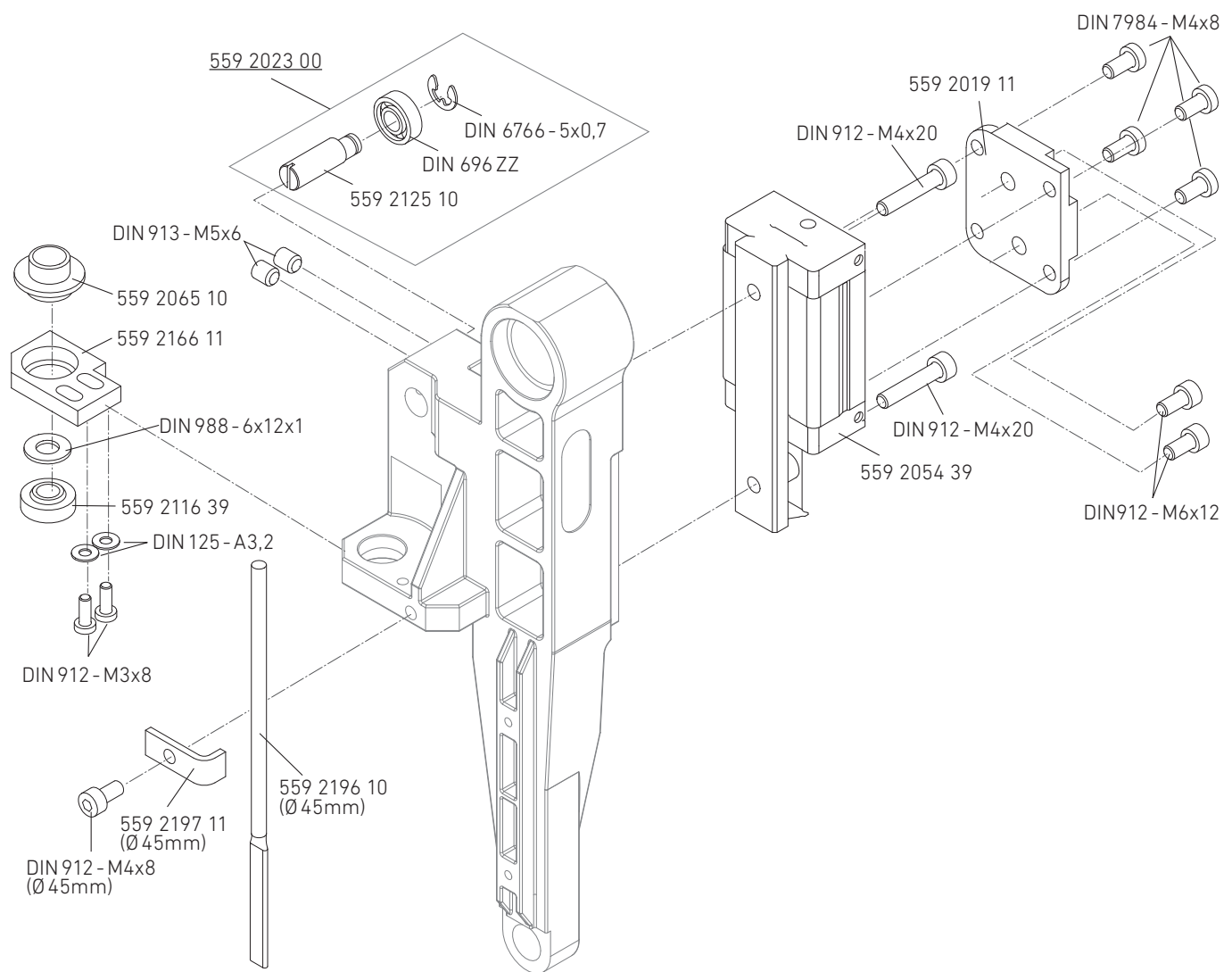
01. HEAD MODULE

04.02. INNER PARTS 557 140 000 (Ø 25mm) // 557 141 000 (Ø 45mm)



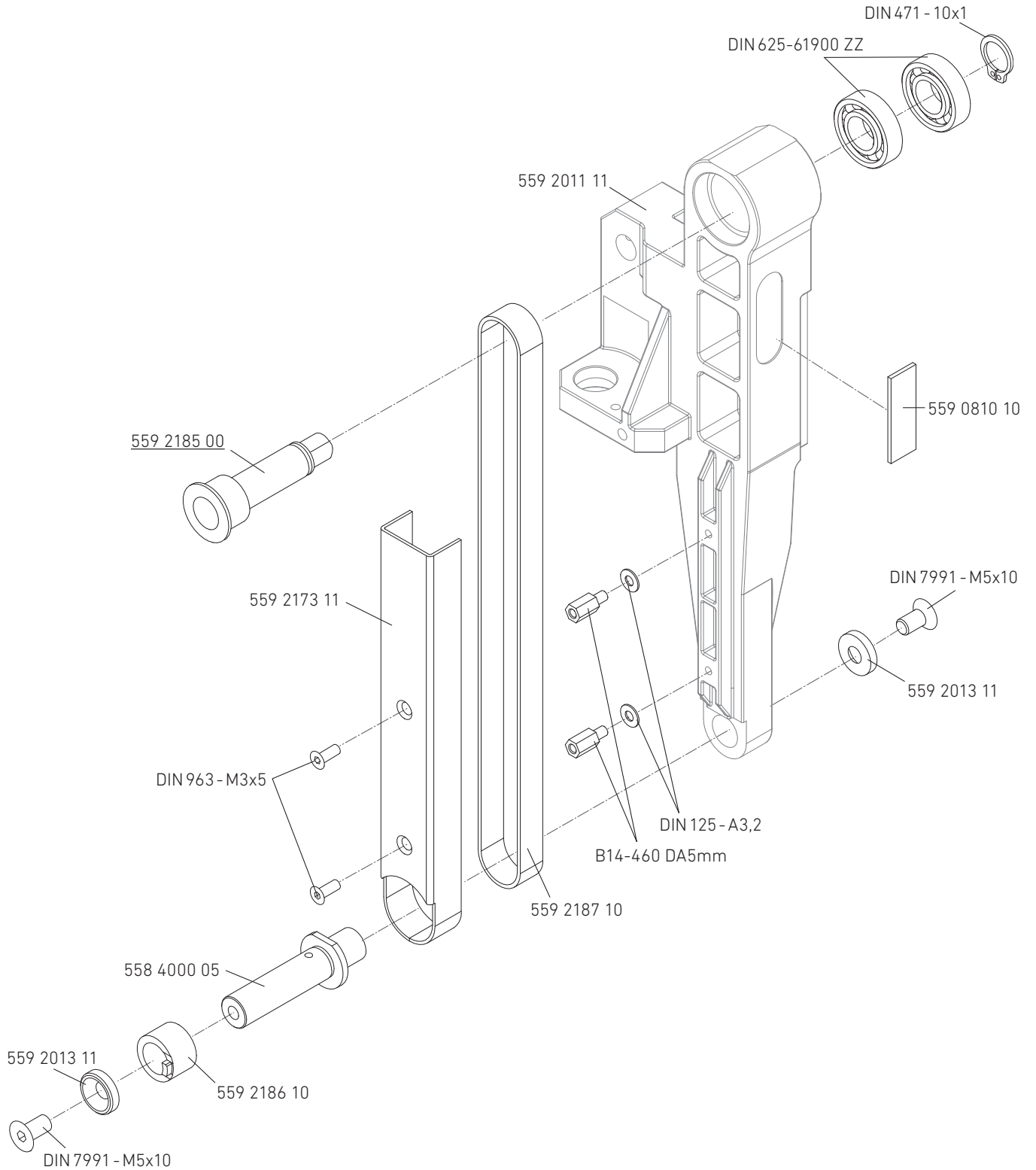
01. HEAD MODULE

05. ANVIL 559 2188 09 (Ø25mm) // 559 2144 09 (Ø45mm)



01. HEAD MODULE

05.01. ANVIL 559 2188 09 (Ø 25mm) // 559 2144 09 (Ø 45mm)



01. HEAD MODULE

02. FRAME MODULE

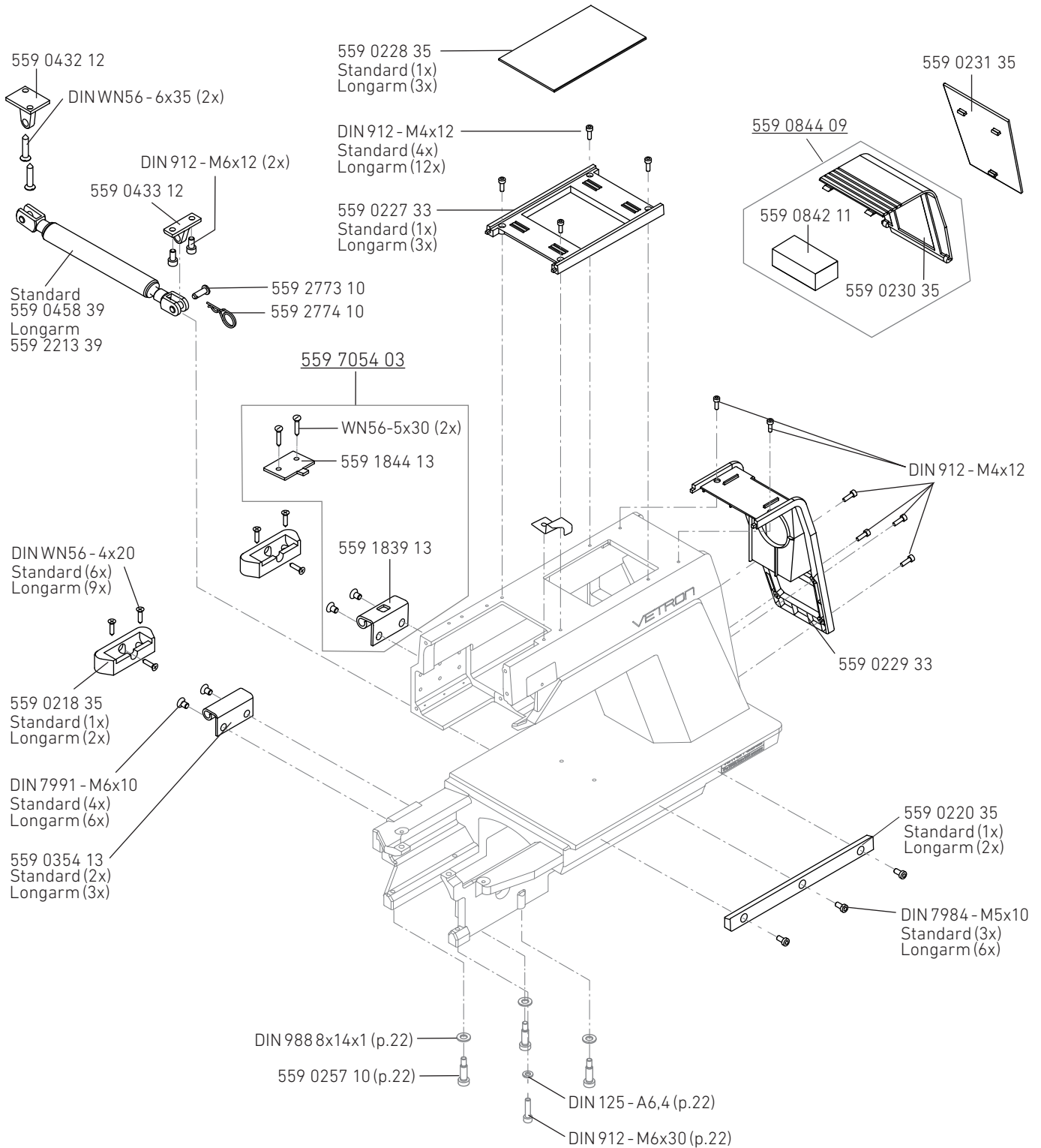
STANDARD 557 005 000 (Ø 25mm) // 557 006 000 (Ø 45mm)
LONGARM 557 007 000 (Ø 25mm) // 557 008 000 (Ø 45mm)

- 18** **01.** STANDARD 557 005 000 (Ø 25mm) // 557 006 000 (Ø 45mm)
LONGARM 557 007 000 (Ø 25mm) // 557 008 000 (Ø 45mm)
-
-

02. FRAME MODULE

01. STANDARD 557 005 000 (Ø 25mm) // 557 006 000 (Ø 45mm)

LONGARM 557 007 000 (Ø 25mm) // 557 008 000 (Ø 45mm)



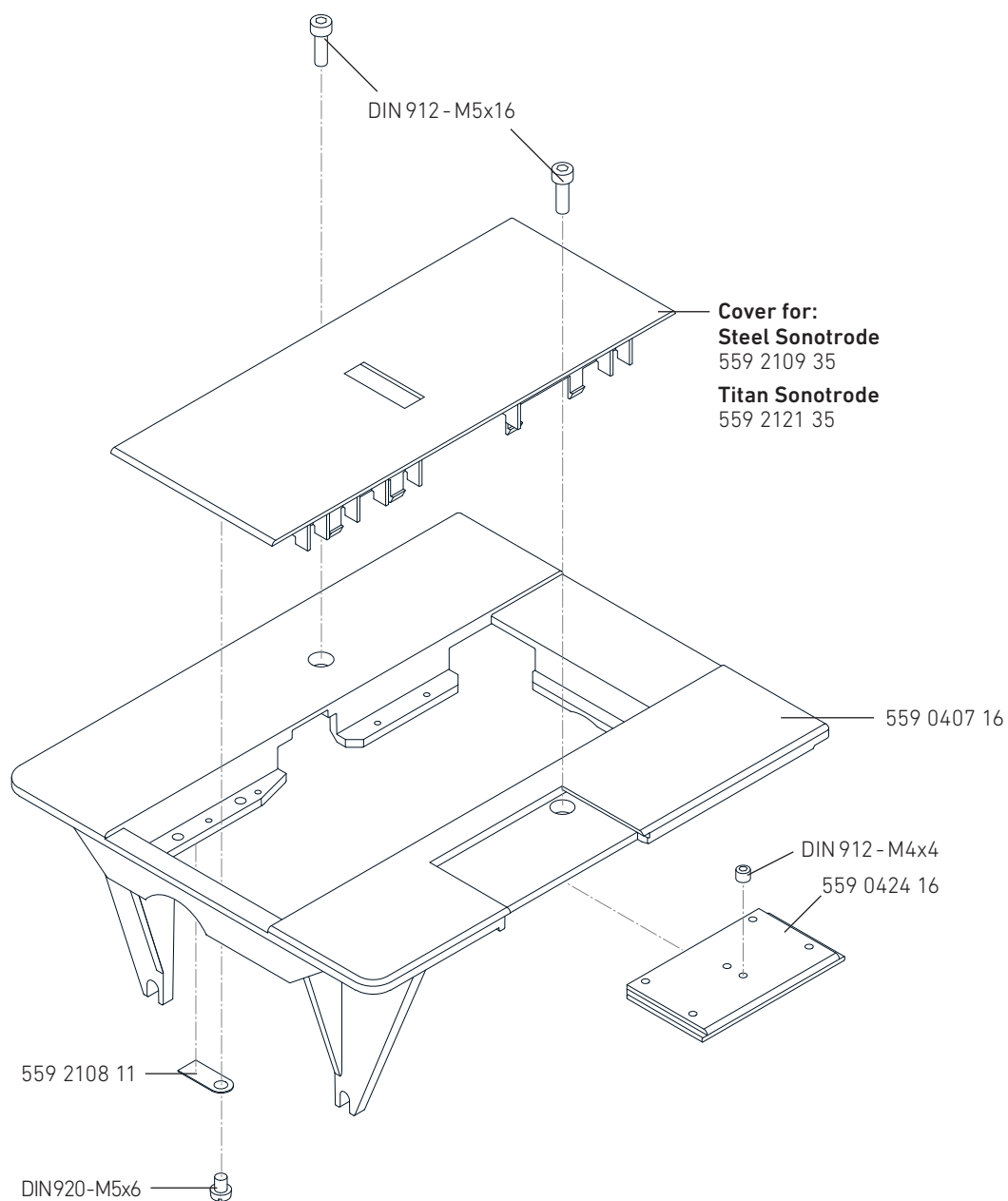
03. TECHNOLOGY MODULE

TITAN SONOTRODE 557 241 000 // STEEL SONOTRODE 557 242 000

20	01. COVER	<hr/>
21	02. PULLER BASE PLATE ASSY WITH COUNTERROLLER - 559 3750 09	<hr/>
22	03. TITAN SONOTRODE 557 241 000 // STEEL SONOTRODE 557 242 000	<hr/>

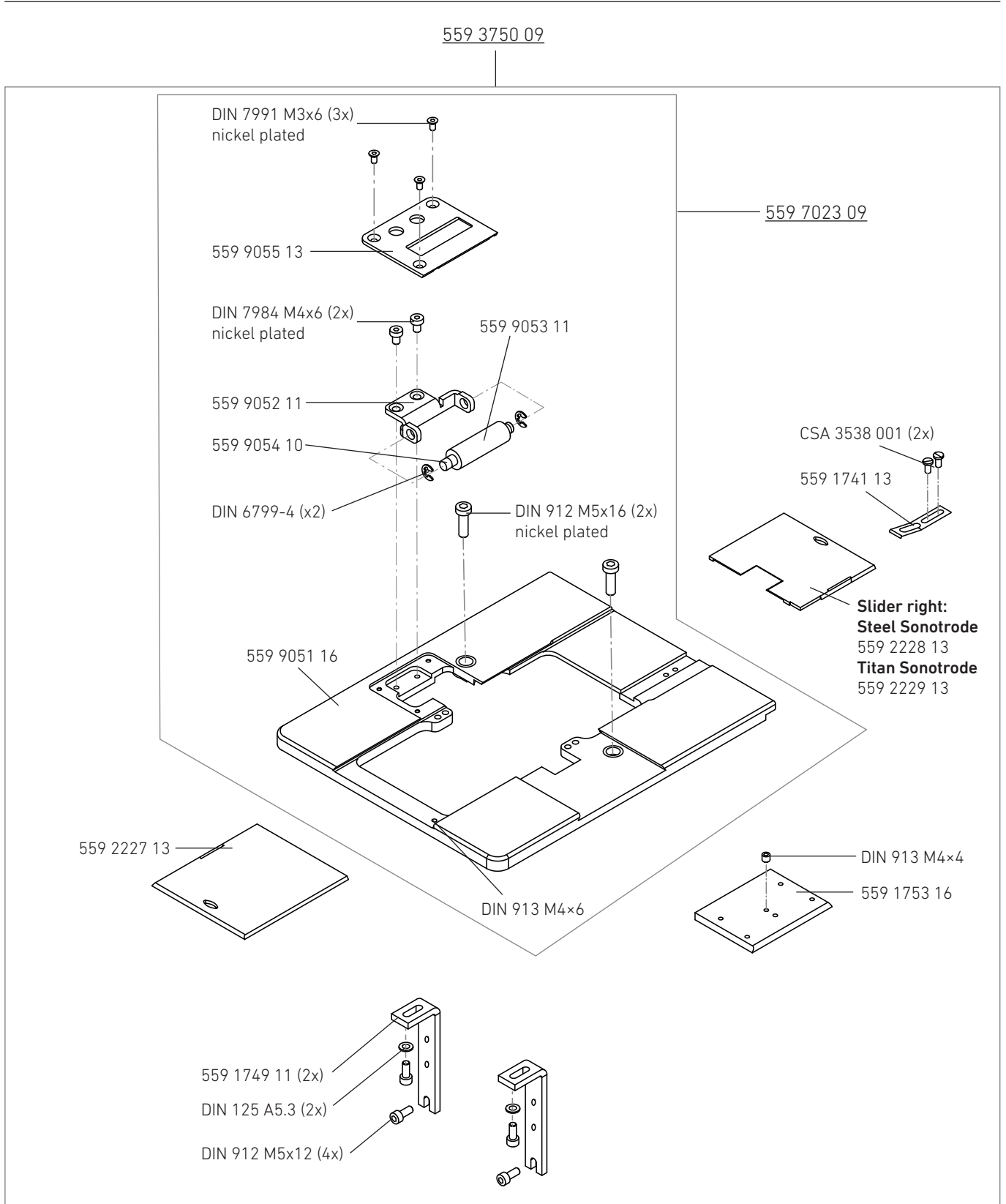
03. TECHNOLOGY MODULE

01. COVER



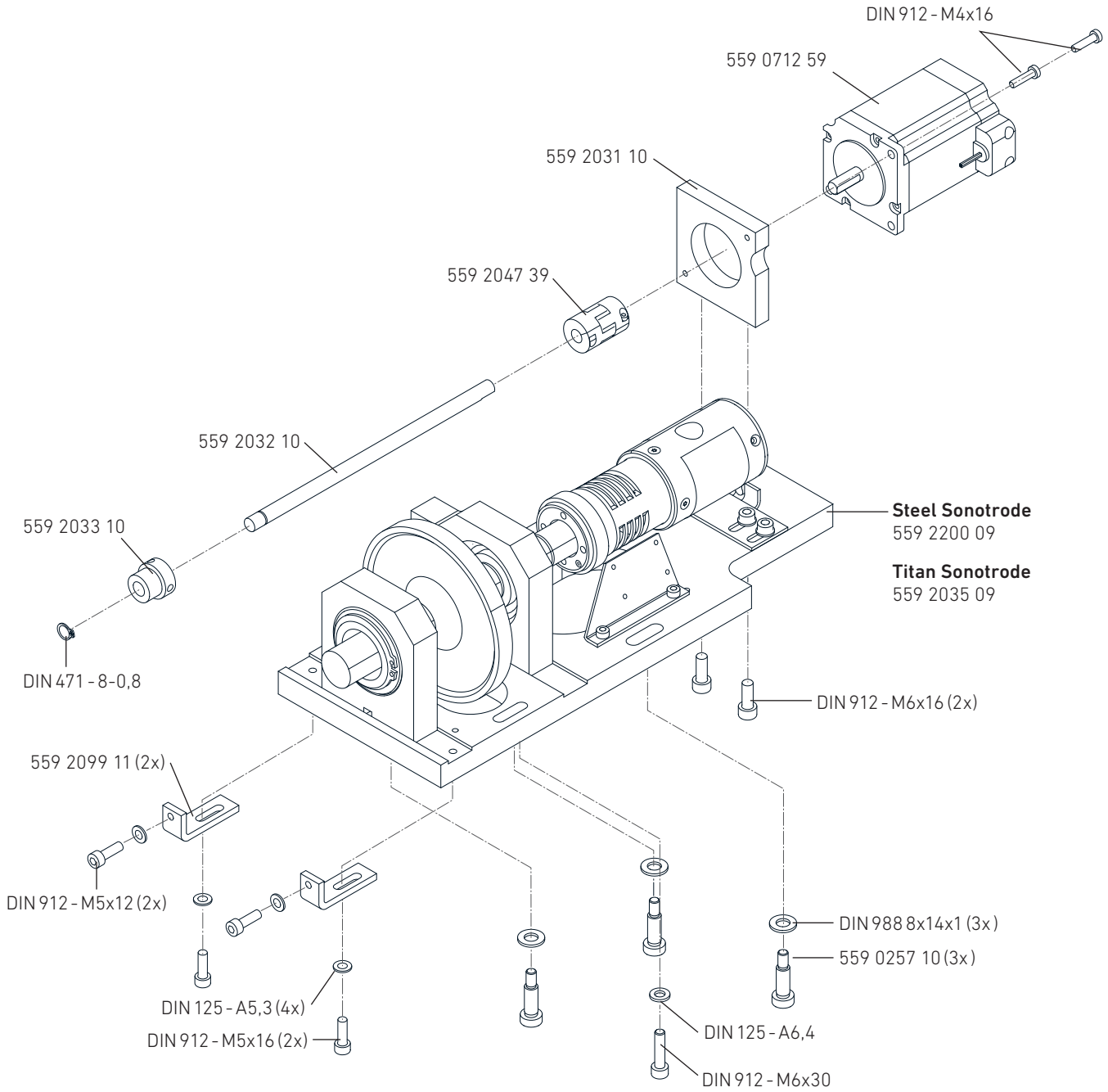
03. TECHNOLOGY MODULE

02. PULLER BASE PLATE ASSY WITH COUNTERROLLER - 559 3750 09



03. TECHNOLOGY MODULE

03. TITAN SONOTRODE 557 241 000 // STEEL SONOTRODE 557 242 000

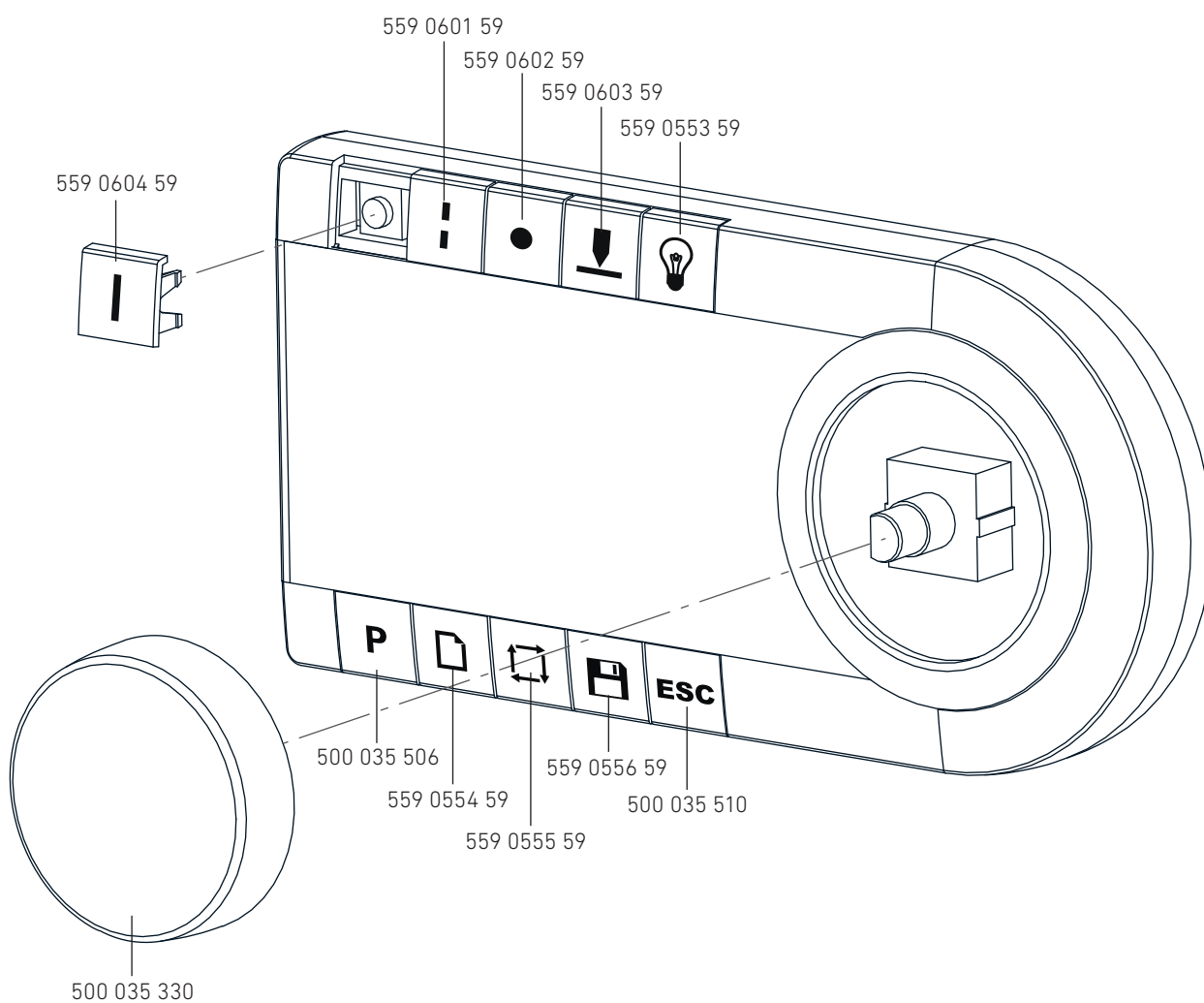


04. ELECTRONIC PARTS

24	01. PANEL - 559 0642 59
25	02. GENERATOR
26	03. CONTROL BOX - 559 0629 59
27	04. BACK COVER CONTROL BOX
28	05. CABLING LIGHT AND FANS
29	06. CABLING HEAD PCB
30	07. PREVIOUS VERSIONS

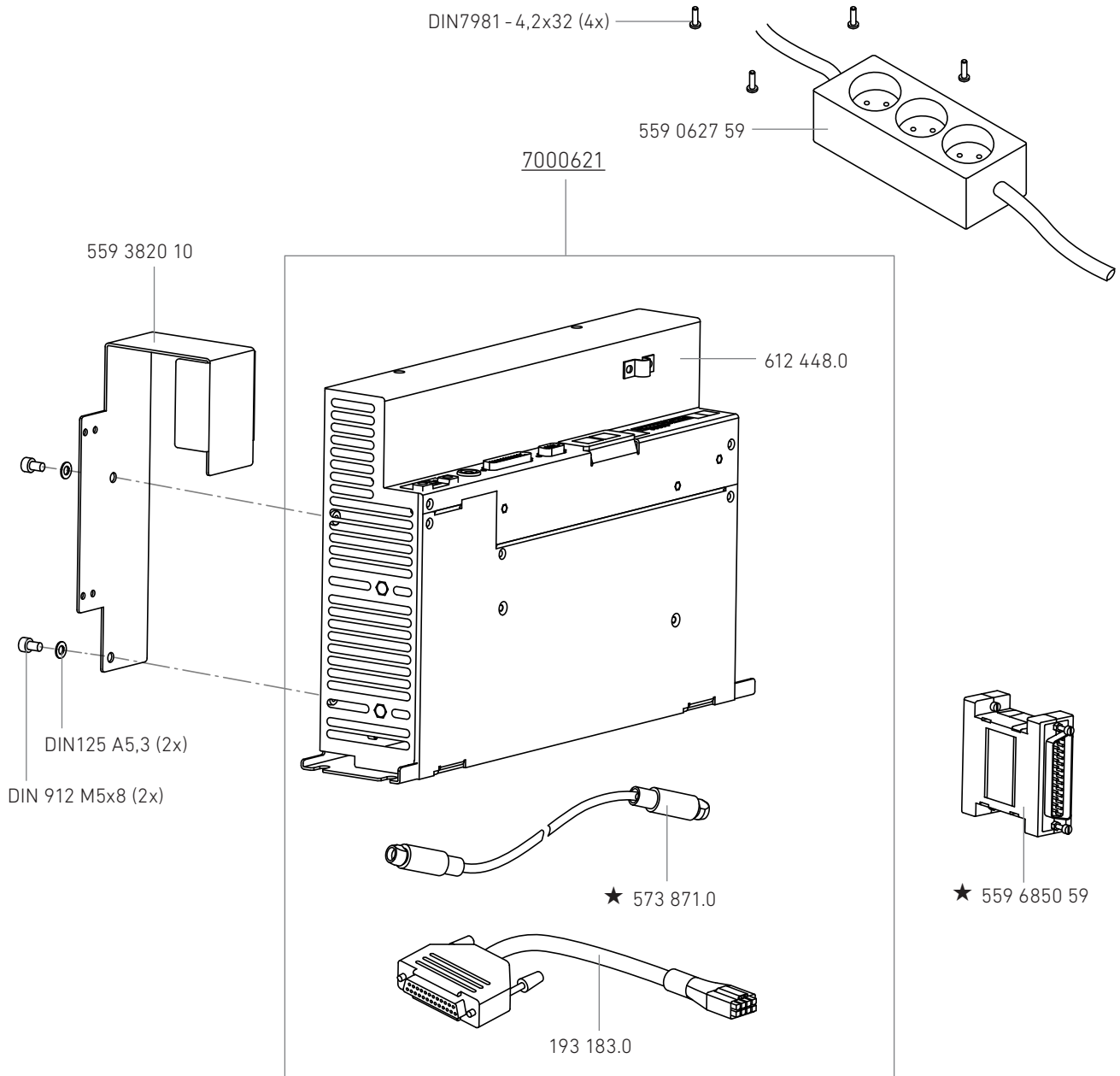
04. ELECTRONIC PARTS

01. PANEL - 559 0642 59



04. ELECTRONIC PARTS

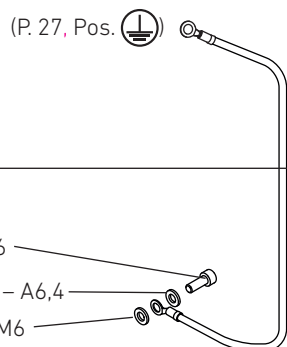
02. GENERATOR



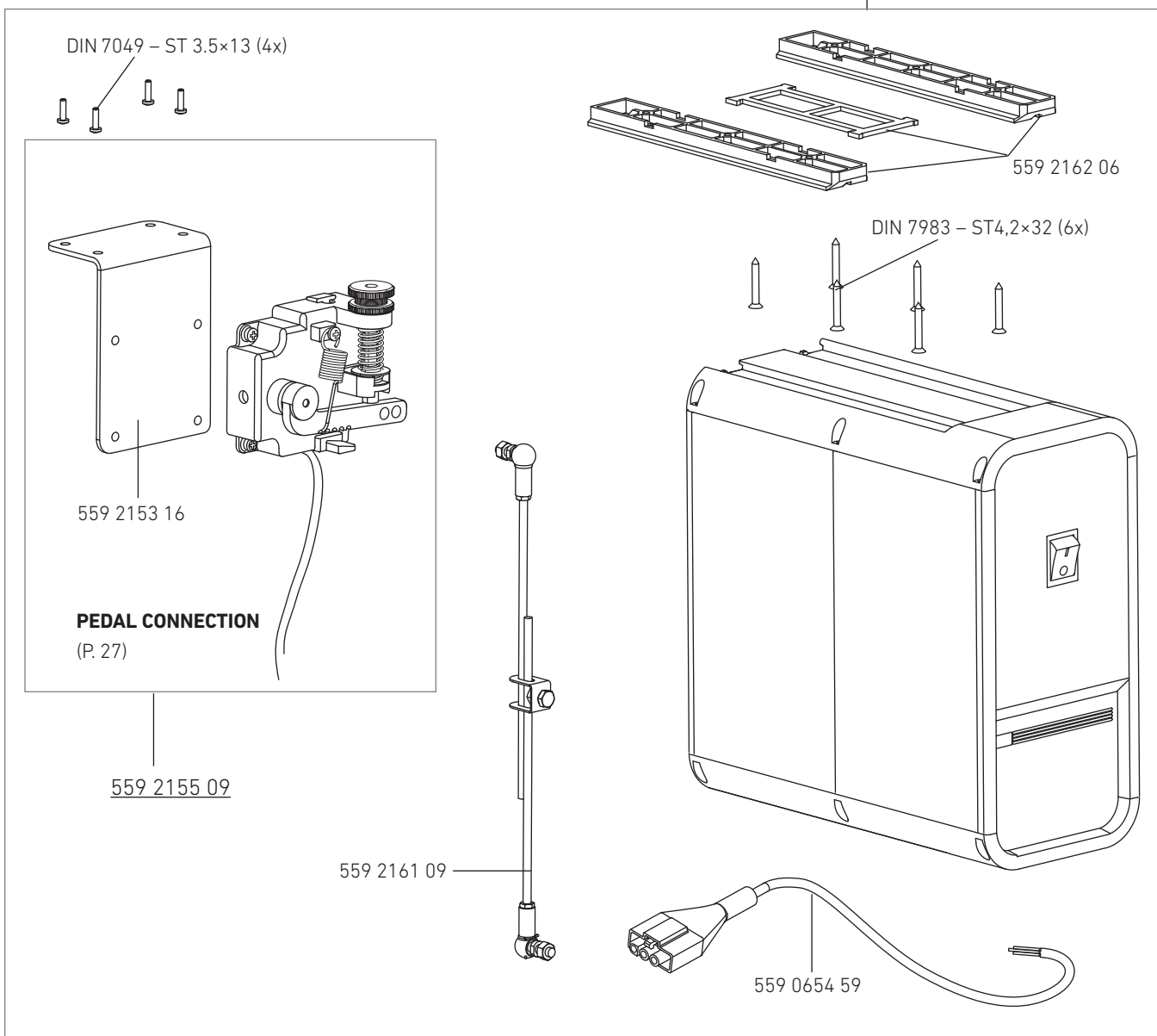
★ New designed. See 04.07. for previous version

04. ELECTRONIC PARTS

03. CONTROL BOX - 559 0629 59



559 0629 59



04. ELECTRONIC PARTS

04. BACK COVER CONTROL BOX

- ⊕ 559 0612 59 | p.26

- S2** Reserve

- S1** Foot lift Motor | p.XX – 559 0711 59

- B1** Control Panel | p.29 – 559 0633 59

- B2** Generator | p.XX – 559 0731 59

- S4** Anvil Motor | p.XX – 559 0710 59

- S3** Reserve

- S6** Sonotrode Motor | p.XX – 559 6036 59

- S5** Tape Drive | 559 0726 59

- POWER** Power | p.26 – 559 0654 59

- M1** Reserve

- Y1** Reserve

- M2** Reserve

- Y2** Reserve

- B4** Reserve

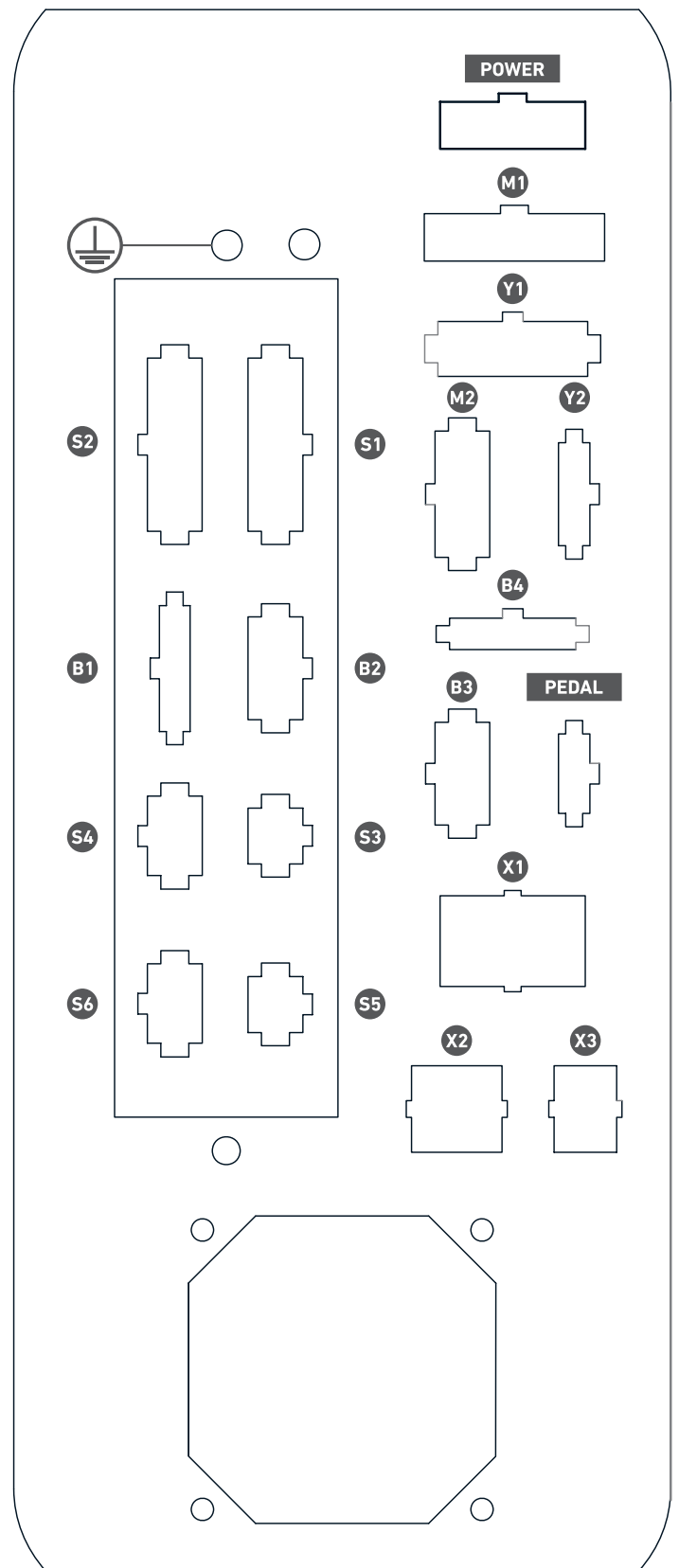
- B3** Reserve

- PEDAL** Pedal | p.26 – 559 2155 59

- X1** Reserve | p.28– 559 0608 59

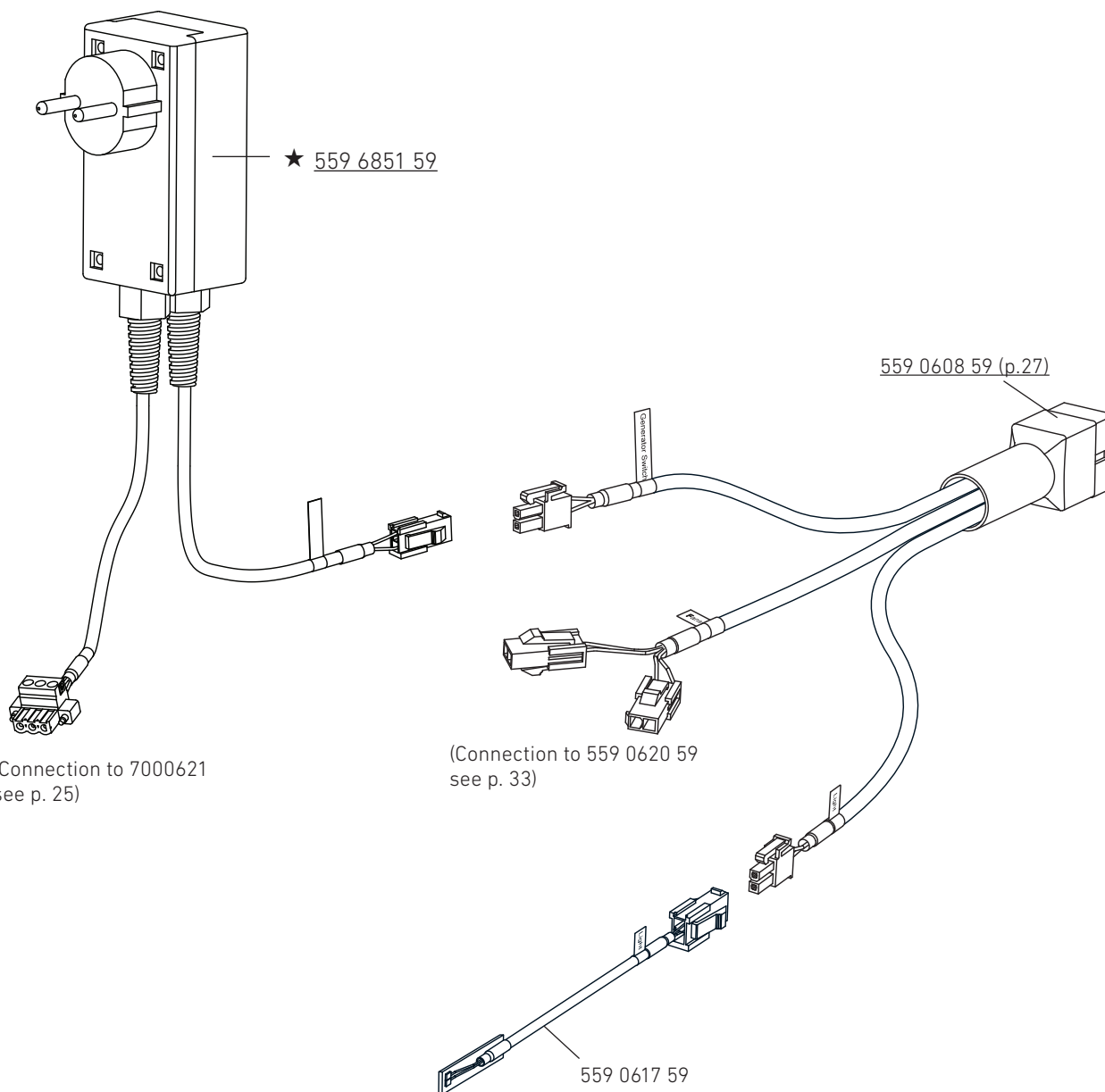
- X2** Reserve

- X3** Reserve



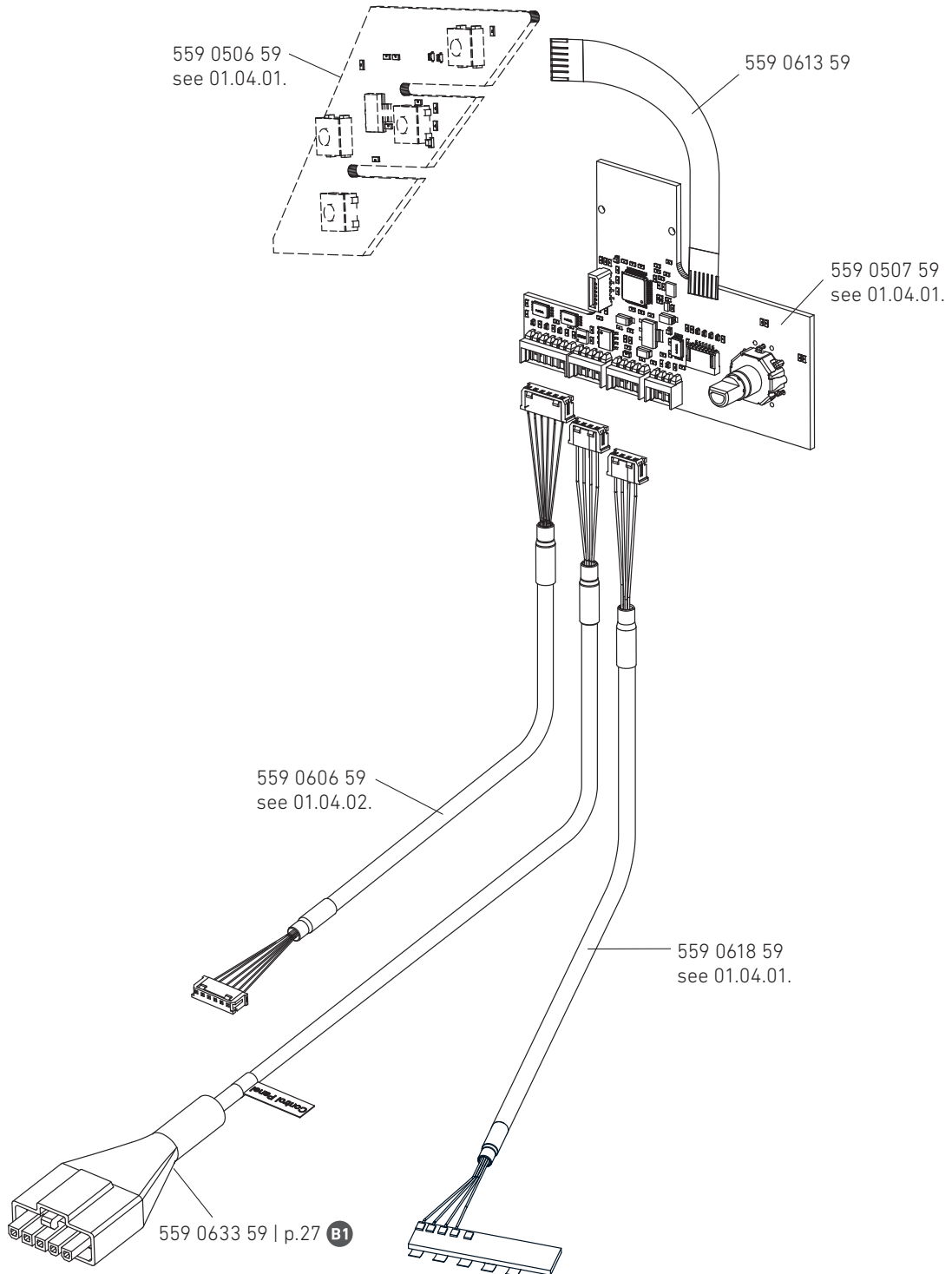
04. ELECTRONIC PARTS

05. CABLING LIGHT AND FANS



04. ELECTRONIC PARTS

06. CABLING HEAD PCB




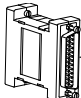
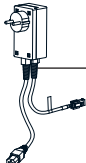
04. ELECTRONIC PARTS

07. PREVIOUS VERSIONS



NOTE!

These parts have been replaced by new designed parts.
After consumption they will no longer be available.

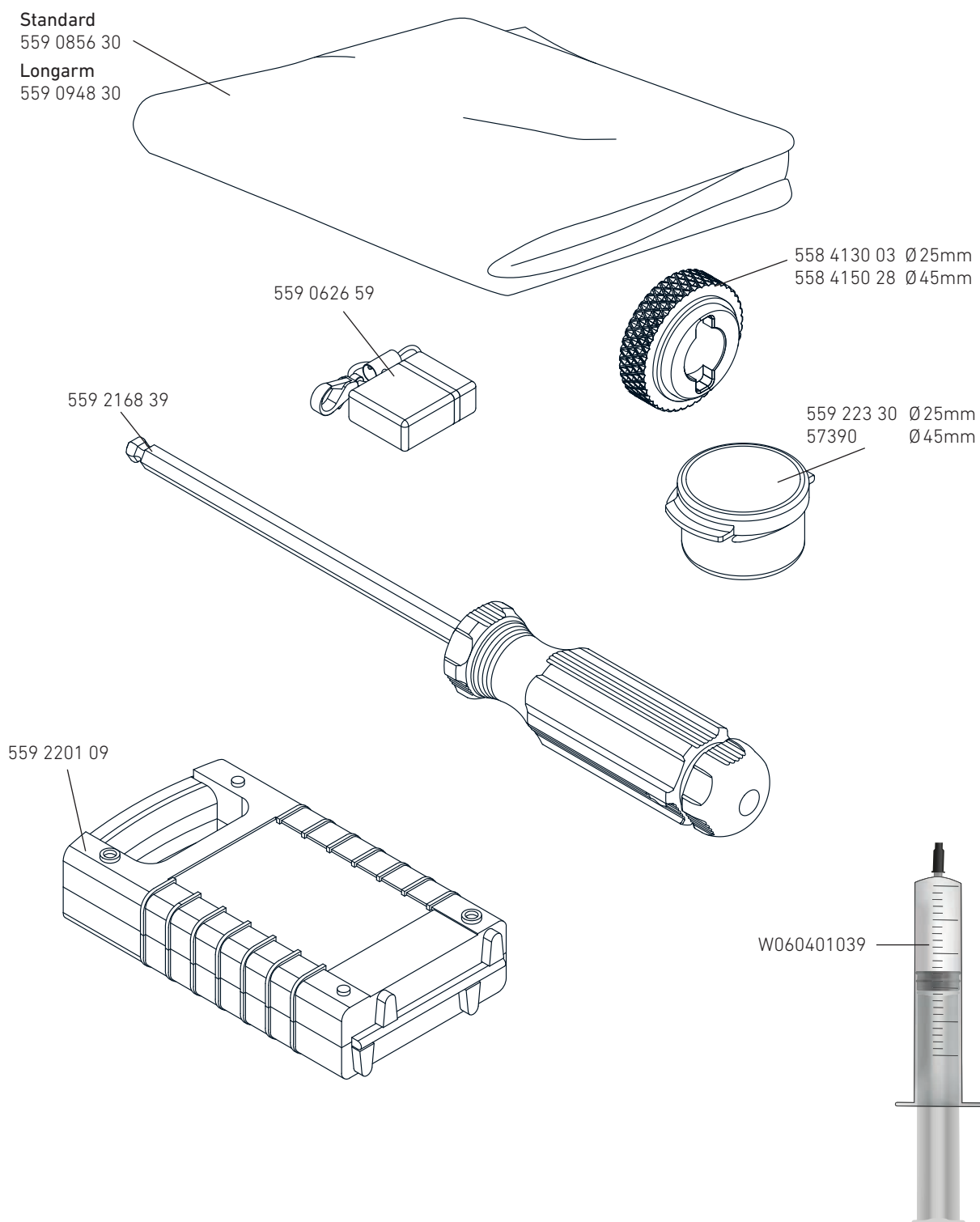
PREVIOUS VERSION	IS REPLACED BY
 573 871.6	573 871.0 Connecting cable to the Sonotrode
 559 0508 59	559 6850 56
 559 0610 59	559 6851 59

05. ULTRASONIC ACCESSORIES

32	01. ACCESSORIES	<hr/>
33	02. SONOTRODE FANS COMPLETE - 559 2124 09	<hr/>
34	03.01. PULLER - AIR - 558 730 000 - Ø 25mm x 16mm // 558 730 001 - Ø 45mm x 26mm	<hr/>
35	03.02. PULLER - AIR - LINEAR GUIDE PULLER ASSY - 559 3045 09	<hr/>
36	04.01. WELDING WHEELS Ø 25mm	<hr/>
41	05.01. WELDING WHEELS Ø 45mm	<hr/>
45	06.01. CUT & UNRUFFED ANVIL WHEEL FOR PULLER FEED	<hr/>

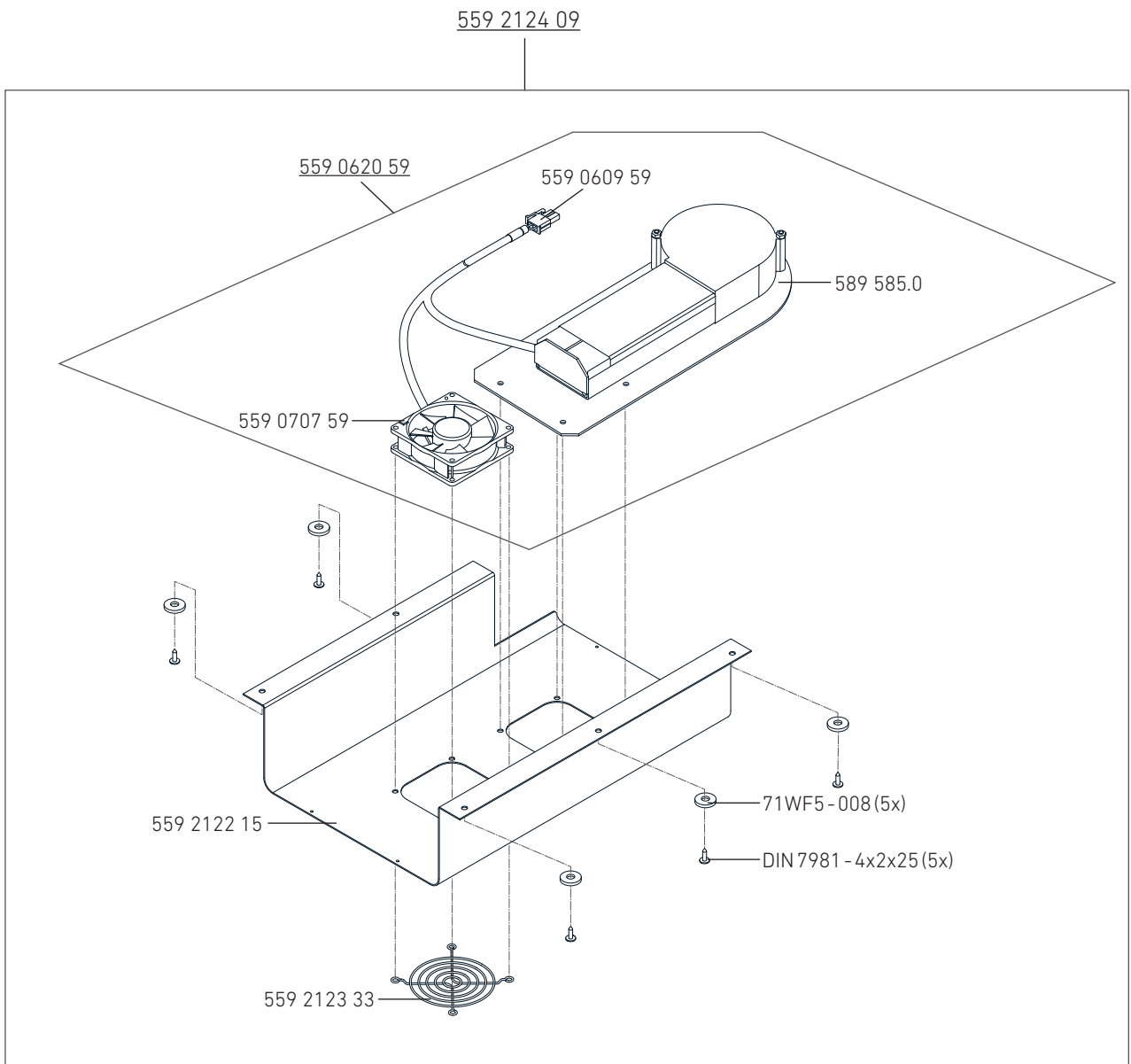
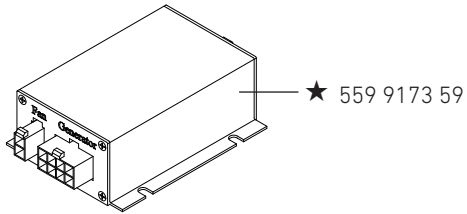
05. ULTRASONIC ACCESSORIES

01. ACCESSORIES



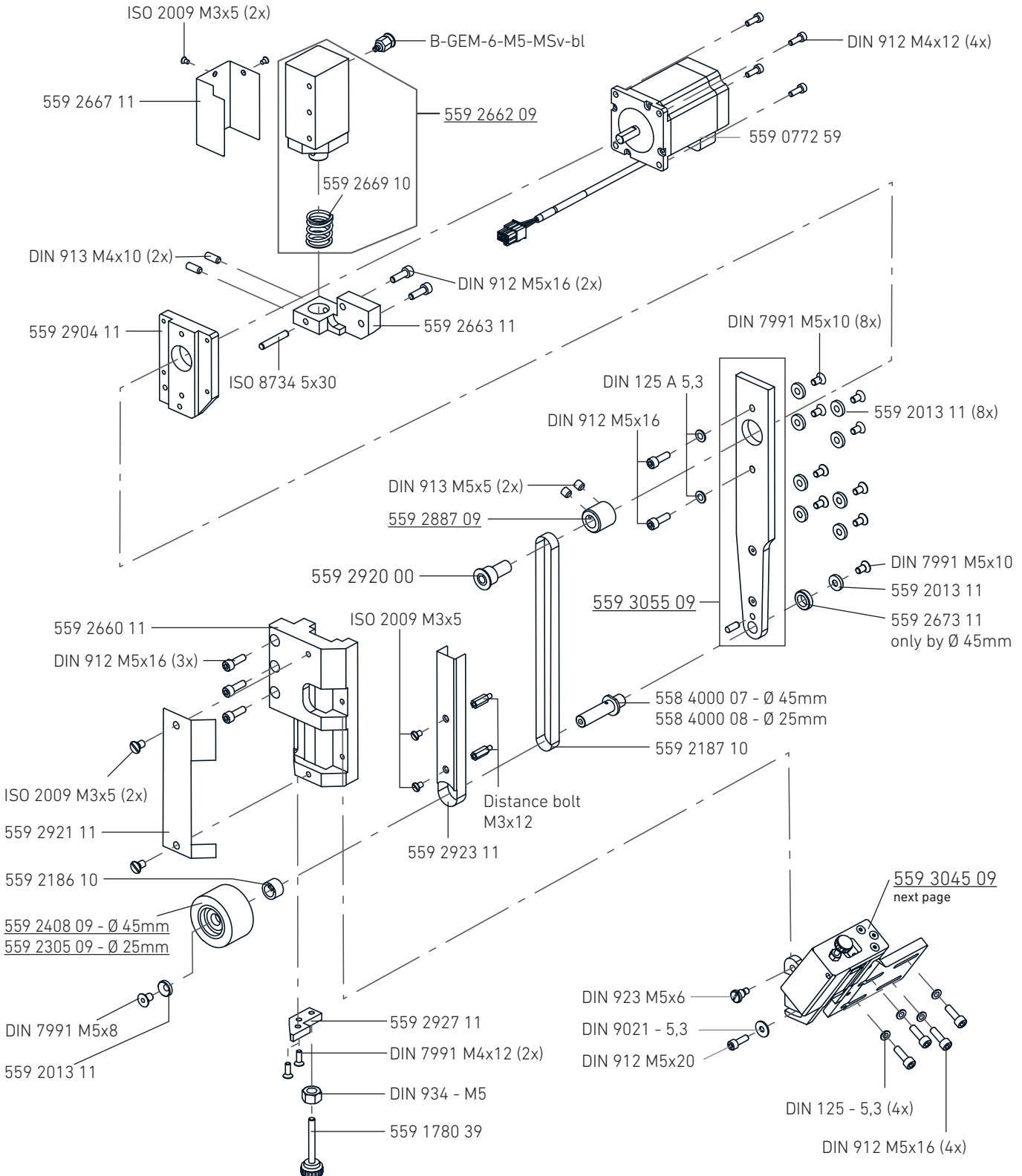
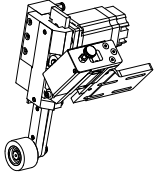
05. ULTRASONIC ACCESSORIES

02. SONOTRODE FANS COMPLETE - 559 2124 09



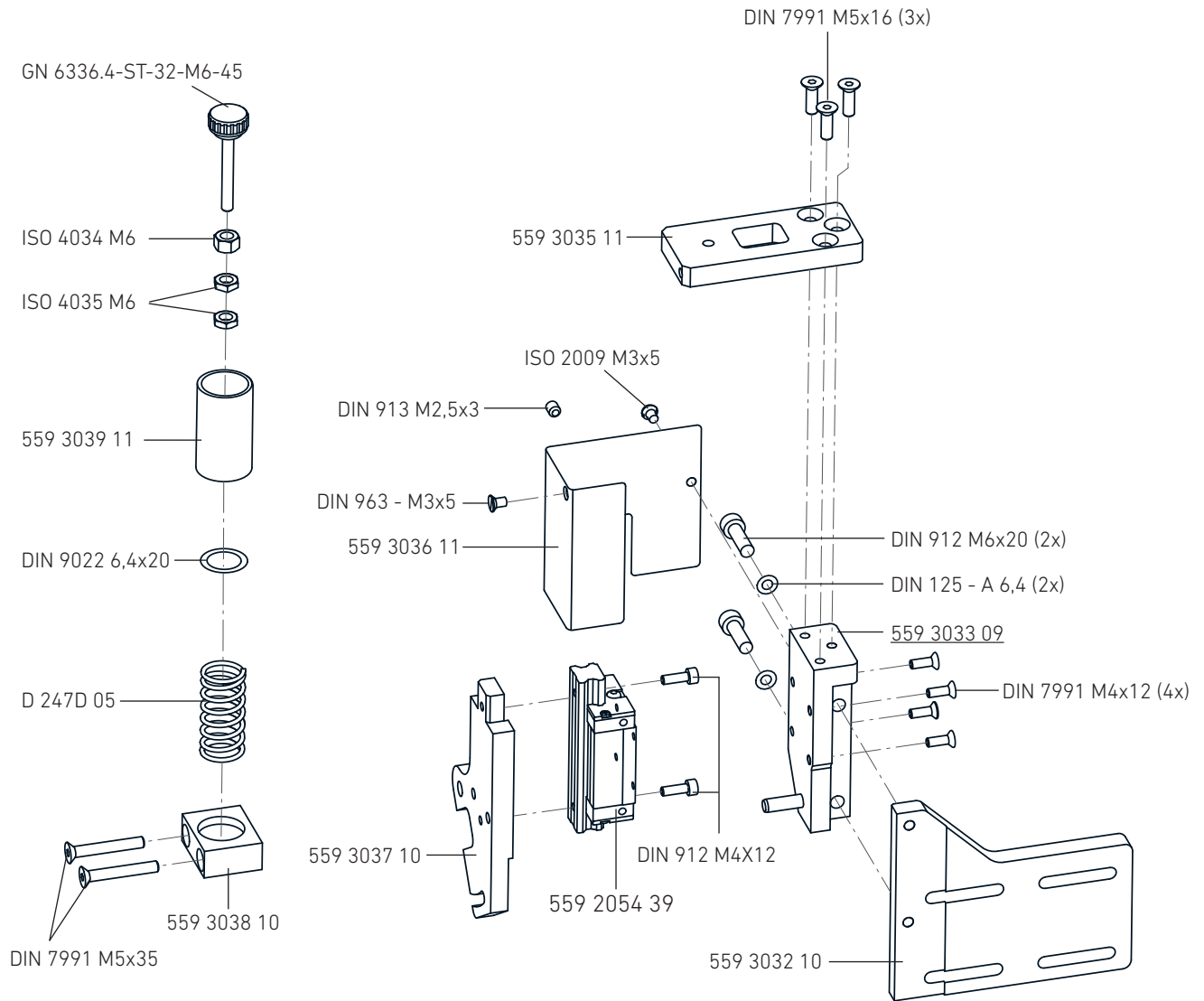
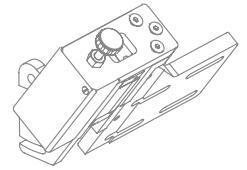
05. ULTRASONIC ACCESSORIES

03.01. PULLER - AIR - 558 730 000 - Ø 25mm x 16mm // 558 730 001 - Ø 45mm x 26mm



05. ULTRASONIC ACCESSORIES

03.02. PULLER - AIR - LINEAR GUIDE PULLER ASSY - 559 3045 09



05. ULTRASONIC ACCESSORIES

04.01. WELDING WHEELS Ø 25mm



(Scale 1:1)

	PROFILE	WIDTH (MM)	# ON WHEEL	ORDER #
KNURL RGV 0.8				
		3	11801	558 4118 01
		5	12801	558 4128 01
KNURL RGE 0.8				
		2	13020	558 4130 20
KNURL RGV 1				
		4	12001	558 4120 01
		6	13001	558 4130 01
		8	14001	558 4140 01
		10	15001	558 4150 01
		13	16501	558 4165 01
KNURL RGE 1				
		1,5	10285	558 4108 25
		3	11517	558 4115 17
		4	12017	558 4120 17
		6	13017	558 4130 17
		8	14017	558 4140 17
		10	15017	558 4150 17

05. ULTRASONIC ACCESSORIES

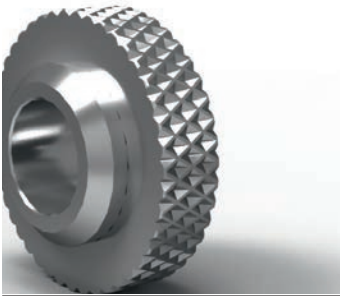
04.02. WELDING WHEELS Ø 25mm



(Scale 1:1)

PROFILE	WIDTH (MM)	# ON WHEEL	ORDER #
---------	------------	------------	---------

KNURL RGV 1.5



6

13003

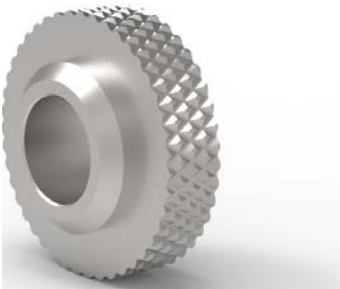
558 4130 03

10

15003

558 4150 03

KNURL RGE 1.5



6

13018

558 4130 18

TEETH 60°



2

11002

558 4110 02

3

11502

558 4115 02

4

12002

558 4120 02

5

12502

558 4125 02

6

13002

558 4130 02

7

13502

558 4135 02

8

14002

558 4140 02

LONG HOLE



8

14403

558 4144 03

05. ULTRASONIC ACCESSORIES

04.03. WELDING WHEELS Ø 25mm



(Scale 1:1)

	PROFILE	WIDTH (MM)	# ON WHEEL	ORDER #
DIAMOND				
		8	12904	558 4129 04
		10	13904	558 4139 04
POINT 1-, 2- & 4-ROWED				
		5	11005	558 4110 05
		5	11007	558 4110 07
		8	12033	558 4120 33
OMEGA				
		8	13406	558 4134 06
SEAM IMITATION				
		4	12011	558 4120 11

05. ULTRASONIC ACCESSORIES

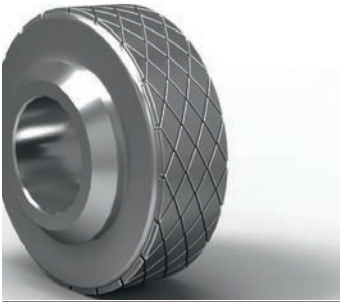
04.04. WELDING WHEELS Ø 25mm



(Scale 1:1)

PROFILE	WIDTH (MM)	# ON WHEEL	ORDER #
---------	------------	------------	---------

DIAMOND (RAISED)



8

16212

558 4162 12

T-STITCH WELDING (RAISED)

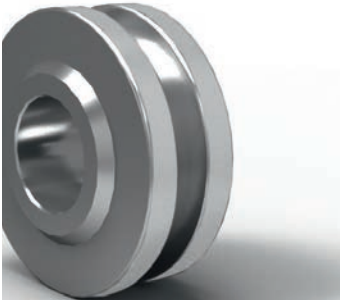


5.5

13013

558 4130 13

2-STRIPS (3-3-3 & 3-4-3)



9

13015

558 4130 15



10

13023

558 4130 23

SEAM-IMITATION & CONTINUOUS SEAM



8

14019

558 4140 19

05. ULTRASONIC ACCESSORIES

04.05. WELDING WHEELS Ø 25mm



(Scale 1:1)

PROFILE	WIDTH (MM)	# ON WHEEL	ORDER #
---------	------------	------------	---------

TEETH & CONTINUOUS SEAM

		6	13021	558 4130 21
		7	14020	558 4140 20

CONTINUOUS SEAM

		6	13008	558 4130 08
		8	14009	558 4140 09
		10	15010	558 4150 10
		12,5	16321	558 4163 01

Individual logo milling is possible



For example:

VETRON VETP

Ø 25 MM WHEEL (FOR SAFETY WELD)

PROFILE	WIDTH (MM)	# ON WHEEL	ORDER #
---------	------------	------------	---------

KNURL RGE 1.5

		3	51505	558 4515 05
		5	53003	558 4530 03

05. ULTRASONIC ACCESSORIES

05.01. WELDING WHEELS Ø 45mm



(Scale 1:1)

PROFILE	WIDTH (MM)	# ON WHEEL	ORDER #
---------	------------	------------	---------

SEAM-IMITATION & CONTINUOUS SEAM

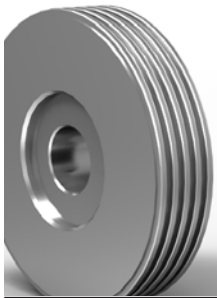


6

14035

558 4140 35

5X CONTINUOUS SEAM

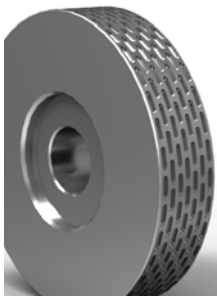


10

15026

558 4150 26

LONG HOLE



5

12542

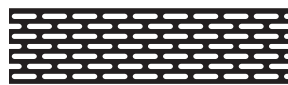
558 4125 42



8

14025

558 4140 25



10

15028

558 4150 28

CONTINUOUS SEAM



2

11051

558 4110 51

3

13024

558 4130 24

5

15039















558 4150 39

05. ULTRASONIC ACCESSORIES

05.02. WELDING WHEELS Ø 45mm



(Scale 1:1)

	PROFILE	WIDTH (MM)	# ON WHEEL	ORDER #
SEAM IMITATION				
		0,8	10801	558 4108 01
		4	11644	558 4116 44
		6	12401	558 4124 01
SEAM-IMITATION				
		3	11008	558 4110 08
		4	12031	558 4120 31
		6	13043	558 4130 43
		10	15031	558 4150 31
OMEGA				
		8	13401	558 4134 01
DIAMOND				
		8	12938	558 4129 38
		10	15037	558 4150 37

05. ULTRASONIC ACCESSORIES

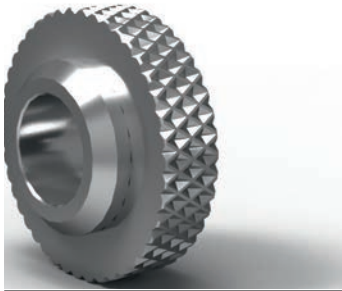
05.03. WELDING WHEELS Ø 45mm



(Scale 1:1)

PROFILE	WIDTH (MM)	# ON WHEEL	ORDER #
---------	------------	------------	---------

KNURL RGV 1

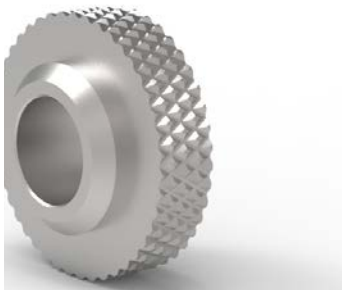


3	11525	558 4115 25
---	-------	--------------------

5	12541	558 4125 41
---	-------	--------------------

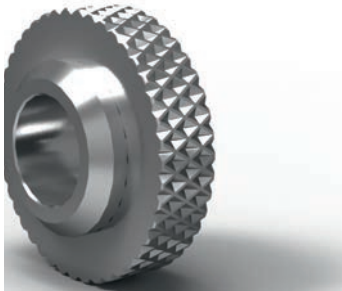
10	15034	558 4150 34
----	-------	--------------------

KNURL RGE 1



3	11541	558 4115 41
---	-------	--------------------

KNURL RGV 1.5



3	11539	558 4115 39
---	-------	--------------------

5	12537	558 4125 37
---	-------	--------------------

6	13034	558 4130 34
---	-------	--------------------

10	15033	558 4150 33
----	-------	--------------------

05. ULTRASONIC ACCESSORIES

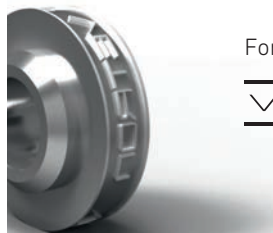
05.04. WELDING WHEELS Ø 45mm



(Scale 1:1)

PROFILE	WIDTH (MM)	# ON WHEEL	ORDER #	
SILICONE WHEELS				
		5 50 Shore	12545	558 4125 45
		5 70 Shore	12546	558 4125 46
		5 80 Shore	12547	558 4125 47
		10 50 Shore	15043	558 4150 41
		10 70 Shore	15044	558 4150 44
		10 80 Shore	15045	558 4150 45

CONTINUOUS SEAM				
		3	11542	558 4115 42
		7	13505	558 4135 05
		8	14033	558 4140 33
		10	15032	558 4150 32
		Individual logo milling is possible		



For example:

VETRON VETF

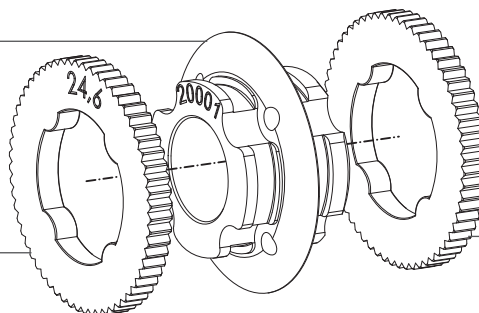
05. ULTRASONIC ACCESSORIES

06.01. CUT & UNRUFFLED ANVIL WHEEL FOR PULLER FEED

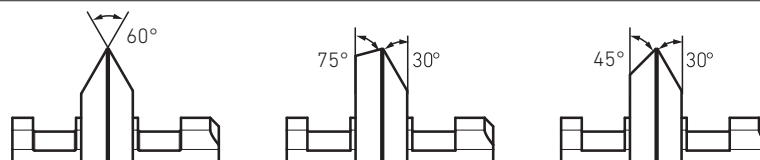
1 CUT WHEEL°

1 UNRUFFLED WHEEL°°

2 PULLER WHEELS



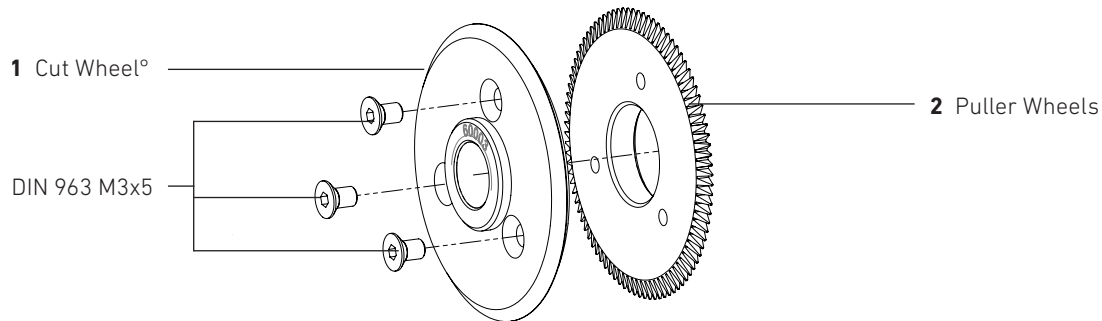
2



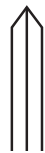
SURFACE	WIDTH (MM)	# ON WHEEL	ORDER #
25 MM CUT WHEELS° (FOR PULLER FEED)			
45° (sym.)		20001	558 4200 01
60° (sym.)		20002	558 4200 02
75° (sym.)		20003	558 4200 03
Left: 45°; Right 30°		20005	558 4200 05
Left: 60°; Right 30°		20006	558 4200 06
Left: 75°; Right 30°		20007	558 4200 07
25 MM UNRUFFLED WHEELS° (FOR PULLER FEED)			
unruffled	1	31001	558 4310 01
unruffled	1.5	31501	558 4315 01
unruffled	2	32001	558 4320 01
unruffled	3	33001	558 4330 01
PULLER WHEELS			
Set of all puller wheels (x2)			558 4900 00
Puller Rubber	2.5	ø 24.6	558 4900 01
Puller Rubber	2.5	ø 24.2	558 4900 02
Puller Rubber	2.5	ø 23.6	558 4900 03
Puller Rubber	2.5	ø 23.0	558 4900 04
Puller Rubber	2.5	ø 20.8	558 4900 05
25 MM SPECIAL CUTTING-WHEELS (WITH STEEL PULLER)			
Left: 40°; Right 30°	ø 24.6	20012	558 4200 12
Left: 45°; Right 30°	ø 24.9	20016	558 4200 16
Left: 70°; Right: 70°	ø 24.6	20014	558 4200 14

05. ULTRASONIC ACCESSORIES

06.02. CUT & UNRUFFED ANVIL WHEEL FOR PULLER FEED



60° (sym.)



75° (sym.)



Left: 45°;
Right 30°



Left: 60°;
Right 30°



Left: 75°;
Right 30°

SURFACE

WIDTH (MM)

ON WHEEL

ORDER #

45 MM CUT WHEELS° (FOR PULLER FEED)

45° (sym.)	60001	558 4600 01
60° (sym.)	60002	558 4600 02
75° (sym.)	60003	558 4600 03
Left: 45°; Right 30°	60005	558 4600 05
Left: 60°; Right 30°	60006	558 4600 06
Left: 75°; Right 30°	60007	558 4600 07
Left: 45°; Right 30°	60008	558 4600 08

PULLER WHEELS

Puller Steel	ø 43.0	558 4900 22
Puller Steel	ø 43.5	558 4900 23
Puller Steel	ø 44.0	558 4900 09
Puller Steel	ø 44.2	558 4900 14
Puller Steel	ø 44.4	558 4900 15
Puller Steel	ø 44.6	558 4900 17
Puller Steel	ø 44.8	558 4900 18

SPECIAL PULLER-WHEELS

Puller	ø 44.0	558 4900 24
Puller	ø 44.4	558 4900 25
Puller	ø 44.8	558 4900 26
Puller	ø 43.0	558 4900 27
Puller	ø 42.0	558 4900 28

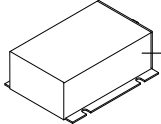

05. ULTRASONIC ACCESSORIES

07. PREVIOUS VERSIONS



NOTE!

These parts have been replaced by new designed parts.
After consumption they will no longer be available.

PREVIOUS VERSION	IS REPLACED BY
 <p>559 0724 59</p>	559 9173 59
 <p>559 6901 59</p>	Adapter cable is not needed

05. ULTRASONIC ACCESSORIES

50 01. TABLE STAND

06. TABLE STAND

01. TABLE STAND

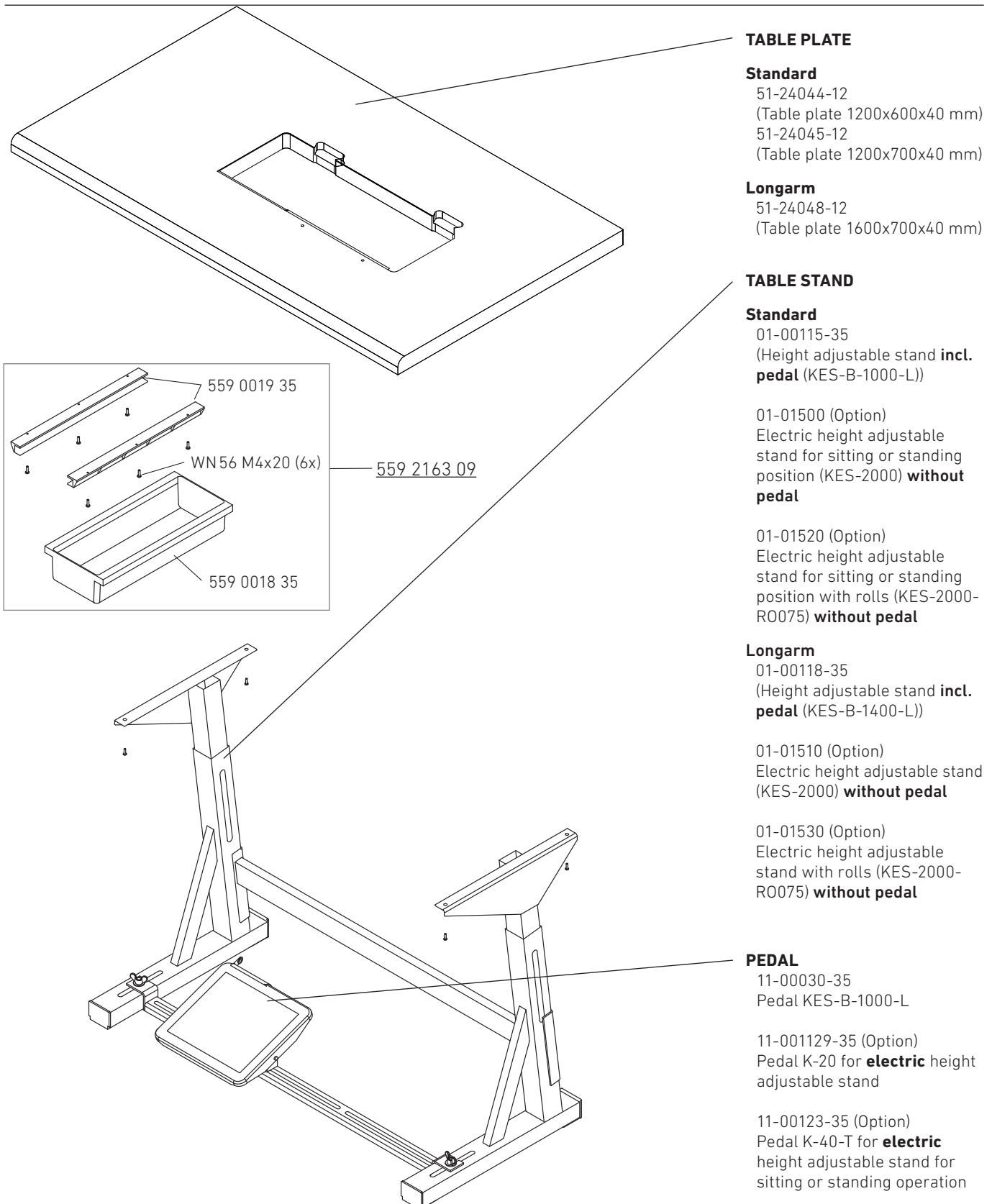


TABLE PLATE

Standard

- 51-24044-12
(Table plate 1200x600x40 mm)
- 51-24045-12
(Table plate 1200x700x40 mm)

Longarm

- 51-24048-12
(Table plate 1600x700x40 mm)

TABLE STAND

Standard

- 01-00115-35
(Height adjustable stand **incl. pedal** (KES-B-1000-L))

- 01-01500 (Option)
Electric height adjustable stand for sitting or standing position (KES-2000) **without pedal**

- 01-01520 (Option)
Electric height adjustable stand for sitting or standing position with rolls (KES-2000-R0075) **without pedal**

Longarm

- 01-00118-35
(Height adjustable stand **incl. pedal** (KES-B-1400-L))

- 01-01510 (Option)
Electric height adjustable stand (KES-2000) **without pedal**

- 01-01530 (Option)
Electric height adjustable stand with rolls (KES-2000-R0075) **without pedal**

PEDAL

- 11-00030-35
Pedal KES-B-1000-L

- 11-001129-35 (Option)
Pedal K-20 for **electric** height adjustable stand

- 11-00123-35 (Option)
Pedal K-40-T for **electric** height adjustable stand for sitting or standing operation

INDEX - ULTRASONIC WELDING

At the time of printing, all information and illustrations in this document were up-to-date.

Technical changes without prior notice!



NOTE!

- » Please take note of, we will not be liable for spare parts and accessories, not purchased from us. These parts were neither examined by us, nor released. Consequently, the installation or use of these products can have a negative influence on features and your workflow of the machine.
- » We accept no liability for any damage caused by the use of non-original parts.
- » Parts which are boxed have a underlined number.
These parts have a assembly part number!
- » The part numbers in the box can be seperately ordered.
- » Parts with a ★ means this part is new designed. The previous version is found at the end of the chapter. After consumption they will no longer be available.

INDEX - ULTRASONIC WELDING

PART NUMBER	PAGE	PART NUMBER	PAGE
01-00115-35 Standard Height adjustable stand incl. pedal (KES-B-1000-L)	50	558 4108 25 Knurl RGE 1 - 1,5mm	36
01-00118-35 Longarm Height adjustable stand incl. pedal (KES-B-1400-L)	50	558 4110 02 Teeth 60° - 2mm	37
01-01500 (Option) Standard Electric height adjustable stand for sitting or standing position (KES-2000) without pedal	50	558 4110 05 Point 1-, 2- & 4-rowed - 5mm	38
01-01510 (Option) Longarm Electric height adjustable stand (KES-2000) without pedal	50	558 4110 07 Point 1-, 2- & 4-rowed - 5mm	38
01-01520 (Option) Standard Electric height adjustable stand for sitting or standing position with rolls (KES-2000-R0075) without pedal	50	558 4110 08 Seam Imitation - 3mm	42
01-01530 (Option) Longarm Electric height adjustable stand with rolls (KES-2000-R0075) without pedal	50	558 4110 51 Continuous Seam - 2mm	41
11-00030-35 Pedal KES-B-1000-L	50	558 4115 02 Teeth 60° - 3mm	37
11-00123-35 (Option) Pedal K-40-T for electric height adjustable stand for sitting or standing operation	50	558 4115 17 Knurl RGE 1 - 3mm	36
11-001129-35 (Option) Pedal K-20 for electric height adjustable stand	50	558 4115 25 Knurl RGV 1 - 3mm	43
51-24044-12 Standard Table plate 1200x600x40 mm	50	558 4115 39 Knurl RGV 1,5 - 3mm	43
51-24045-12 Standard Table plate 1200x700x40 mm	50	558 4115 41 Knurl RGE 1 - 3mm	43
51-24048-12 Longarm Table plate 1600x700x40 mm	50	558 4115 42 Continuous Seam - 3mm	44
71WF5-008 Washer	33	558 4116 44 Seam Imitation - 4mm	42
500 035 330 Printed Button (Jog Key)	24	558 4118 01 Knurl RGV 0.8 - 3mm	36
500 035 506 Printed Button (Parameter)	24	558 4120 01 Knurl RGV 1 - 4mm	36
500 035 510 Printed Button (Cancel)	24	558 4120 02 Teeth 60° - 4mm	37
558 4000 05 Bolt	15	558 4120 11 Seam imitation - 4mm	38
558 4000 07 Bolt Ø 45mm	34	558 4120 17 Knurl RGE 1 - 4mm	36
558 4000 08 Bolt Ø 25mm	34	558 4120 31 Seam Imitation - 4mm	42
558 4108 01 Seam Imitation - 0,8mm	42	558 4120 33 Point 1-, 2- & 4-rowed - 8mm	38
		558 4124 01 Seam Imitation - 6mm	42
		558 4125 02 Teeth 60° - 5mm	37
		558 4125 37 Knurl RGV 1,5 - 5mm	43

INDEX - ULTRASONIC WELDING

PART NUMBER	PAGE	PART NUMBER	PAGE
558 4125 41 Knurl RGV1 - 5mm	43	558 4134 01 Omega - 8mm	42
558 4125 42 Long Hole - 5mm	41	558 4134 06 Omega - 8mm	38
558 4125 45 Silicone Wheels	44	558 4135 02 Teeth 60° - 7mm	37
558 4125 46 Silicone Wheels	44	558 4135 05 Continuous Seam - 7mm	44
558 4125 47 Silicone Wheels	44	558 4139 04 Diamond - 10mm	38
558 4128 01 Knurl RGV0.8 - 5mm	36	558 4140 01 Knurl RGV1 - 8mm	36
558 4129 04 Diamond - 8mm	38	558 4140 02 Teeth 60° - 8mm	37
558 4129 38 Diamond - 8mm	42	558 4140 09 Continuous Seam - 8mm	40
558 4130 01 Knurl RGV1 - 6mm	36	558 4140 17 Knurl RGE 1 - 8mm	36
558 4130 02 Teeth 60° - 6mm	37	558 4140 19 Seam-Imitation & Continuous Seam - 8mm	39
558 4130 03 Knurl RGV1.5 - 6mm	32 37	558 4140 20 Teeth & Continuous Seam - 7mm	40
Standard Wheel Ø25mm		558 4140 25 Long Hole - 8mm	41
558 4130 08 Continuous Seam - 6mm	40	558 4140 33 Continuous Seam - 8mm	44
558 4130 13 T-Stitch Welding (Raised) - 5,5mm	39	558 4140 35 Seam-Imitation & Continuous Seam - 6mm	41
558 4130 15 2-Strips (3-3-3 & 3-4-3) - 9mm	39	558 4144 03 Long Hole - 8mm	37
558 4130 17 Knurl RGE 1 - 6mm	36	558 4150 01 Knurl RGV1 - 10mm	36
558 4130 18 Knurl RGe 1.5 - 6mm	37	558 4150 03 Knurl RGV1.5 - 10mm	37
558 4130 20 Knurl RGE 0.8 - 2mm	36	558 4150 10 Continuous Seam - 10mm	40
558 4130 21 Teeth & Continuous Seam - 6mm	40	558 4150 17 Knurl RGE 1 - 10mm	36
558 4130 23 2-Strips (3-3-3 & 3-4-3) - 10mm	39	558 4150 26 5x Continuous Seam - 10mm	41
558 4130 24 Continuous Seam - 3mm	41	558 4150 28 Long Hole - 10mm	32 41
558 4130 34 Knurl RGV1,5 - 6mm	43	Standard Wheel Ø45mm	
558 4130 43 Seam Imitation - 6mm	42	558 4150 31 Seam Imitation - 10mm	42

INDEX - ULTRASONIC WELDING

PART NUMBER	PAGE	PART NUMBER	PAGE
558 4150 32 Continuous Seam - 10mm	44	558 4330 01 25 mm Unruffled wheels (for Puller feed) - 3mm	45
558 4150 33 Knurl RGV1,5 - 10mm	43	558 4515 05 Knurl RGE 1.5 - 3mm	40
558 4150 34 Knurl RGV1 - 10mm	43	558 4530 03 Knurl RGE 1.5 - 5mm	40
558 4150 37 Diamond - 10mm	42	558 4600 01 45 mm Cut wheel (for Puller feed)	46
558 4150 39 Continuous Seam - 5mm	41	558 4600 02 45 mm Cut wheel (for Puller feed)	46
558 4150 41 Silicone Wheels	44	558 4600 03 45 mm Cut wheel (for Puller feed)	46
558 4150 44 Silicone Wheels	44	558 4600 04 45 mm Cut wheel (for Puller feed)	46
558 4150 45 Silicone Wheels	44	558 4600 05 45 mm Cut wheel (for Puller feed)	46
558 4162 12 Diamond (Raised) - 8mm	39	558 4600 06 45 mm Cut wheel (for Puller feed)	46
558 4163 01 Continuous Seam - 12,5mm	40	558 4600 07 45 mm Cut wheel (for Puller feed)	46
558 4165 01 Knurl RGV1 - 13mm	36	558 4600 08 45 mm Cut wheel (for Puller feed)	46
558 4200 01 25 mm Cut wheels (for Puller feed)	45	558 4900 00 Puller wheel	45
558 4200 02 25 mm Cut wheels (for Puller feed)	45	558 4900 01 Puller wheel	45
558 4200 03 25 mm Cut wheels (for Puller feed)	45	558 4900 02 Puller wheel	45
558 4200 05 25 mm Cut wheels (for Puller feed)	45	558 4900 03 Pullerwheel	45
558 4200 06 25 mm Cut wheels (for Puller feed)	45	558 4900 04 Puller wheel	45
558 4200 07 25 mm Cut wheels (for Puller feed)	45	558 4900 05 Puller wheel	45
558 4200 12 5mm Special Cutting-wheel (with steal puller)	45	558 4900 09 Puller wheel	46
558 4200 14 5mm Special Cutting-wheel (with steal puller)	45	558 4900 14 Puller wheel	46
558 4200 16 5mm Special Cutting-wheel (with steal puller)	45	558 4900 15 Puller wheel	46
558 4310 01 25 mm Unruffled wheels (for Puller feed) - 1 mm	45	558 4900 17 Puller wheel	46
558 4315 01 25 mm Unruffled wheels (for Puller feed) - 1,5mm	45	558 4900 18 Puller wheel	46
558 4320 01 25 mm Unruffled wheels (for Puller feed) - 2mm	45	558 4900 22 Puller wheel	46

INDEX - ULTRASONIC WELDING

PART NUMBER	PAGE	PART NUMBER	PAGE
558 4900 23 Puller wheel	46	559 0394 13 Frame balance wheel	10
558 4900 24 Special Puller wheel	46	559 0395 15 Balance wheel	10
558 4900 25 Special Puller wheel	46	559 0397 69 Key cape	10
558 4900 26 Special Puller wheel	46	559 0402 15 Carrier	10
558 4900 27 Special Puller wheel	46	559 0407 16 Bed plate cover	20
558 4900 28 Special Puller wheel	46	559 0424 16 Slide plate	20
559 0091 10 Gear wheel	13	559 0430 36 Endcarriage	09
559 0123 36 Cover	09	559 0432 12 Bearing bracket	18
559 0126 35 Cover	09	559 0433 12 Bracket	18
559 0218 35 Rubber cushion	18	559 0458 39 Industrial Gas Springes GS-70-AD	18
559 0220 35 Rubber cushion	18	559 0499 10 Spring	10
559 223 30 Wheel Box Ø 25 mm	32	559 0506 59 Head PCB	10 29
559 0227 33 Frame	18	559 0507 59 Head-Base PCB with CPU	10 29
559 0228 35 Cover	18	559 0513 59 PCB material thickness sensor	11 12
559 0229 33 Frame behind	18	559 0526 59 Circuit board	11
559 0230 35 Cover behind	18	559 0553 59 Printed Button (Light)	24
559 0231 35 Cover	18	559 0554 59 Printed Button (New Program)	24
559 0237 30 Diffusion lens	09	559 0555 59 Printed Button (Program Chain)	24
559 0242 50 Neodym Scheibenmagnet 5x4 Nd 35	10	559 0556 59 Printed Button (Save)	24
559 0257 10 Screw	18 22	559 0575 59 Key Cape	10
559 0265 31 Plug	13	559 0601 59 Printed Button (Interval Welding)	24
559 0354 13 Hinge	18	559 0602 59 Printed Button (Spot Welding)	24
559 0392 15 Key cape	10	559 0603 59 Printed Button (Cut & Seal)	24

INDEX - ULTRASONIC WELDING

PART NUMBER	PAGE	PART NUMBER	PAGE
559 0604 59 Printed Button (Continuous Welding)	24	559 0810 10 Flexible magnet strip 29,5mm	15
559 0606 59 Foot position Sensor cable	29	559 0841 09 Carrier with Solenoid	10
559 0608 59 FGL Cable complete(Fans, Generator,Light)	28	559 0842 11 Foam-block	18
559 0609 59 Sonotrode Fans Cable	33	559 0844 09 Cover behind assy	18
559 0612 59 Earth cable	26	559 0856 30 Cover with Logo	32
559 0613 59 FFC-Cable	29	559 0948 30 Cover with Logo (Logarm)	32
559 0617 59 LED PCB complete	09 28	559 0953 11 Cable holder	13
559 0618 59 Display connector complete	10 29	559 0956 15 Cover	09
559 0620 59 Sonotrode Fans cable complete	33	559 0964 01 Plate	13
559 0626 59 USB flash drive - ADMIN	32	559 1355 09 Cardan shaft assy	11 12
559 0627 59 3-way socket strip	25	559 1741 13 Spring	21
559 0629 59 Control Box VE 8340	26	559 1749 11 Angle	21
559 0633 59 Head based cable	29	559 1753 16 Slide plate	21
559 0642 59 Display complete welding machine	24	559 1780 39 Knurled screw GN 59-18-M5-40	34
559 0654 59 Power cable	26	559 1839 13 Hinge	18
559 0706 59 Stepper motor (welding pressure) S3	11	559 1844 13 Plate	18
559 0707 59 Arctic Fans incl. Screws	33	559 2001 00 Cam assy (Ø 25mm)	13
559 0710 59 Stepping-Motor Fei Long Type S4	12	559 2002 10 Gear wheel assy (Ø 25mm)	13
559 0711 59 Stepping-Motor Fei Long with cable (foot lifter) S1	11 12	559 2003 10 Cam	13
559 0712 59 Stepping Type 57BYGH250E25(speed)	22	559 2005 15 Cover (glue)	10
559 0724 59 Fan switch	47	559 2007 10 Head housing	13
559 0725 59 Screw	11	559 2008 10 Bushing	13
559 0772 59 Stepper motor with cable for Puller	34	559 2011 11 Anvil frame	15

INDEX - ULTRASONIC WELDING

PART NUMBER	PAGE	PART NUMBER	PAGE
559 2013 11 Washer	15 34	559 2102 09 Nut with magnet	11
559 2018 10 Bolt	13	559 2108 11 Plate	20
559 2019 11 Plate	14	559 2109 35 Cover 14 mm	20
559 2021 10 Spring	11	559 2110 69 Key Cape	10
559 2022 10 Bracket	11	559 2116 39 Igubal-spherical bearing	14
559 2023 00 Bearing pin	14	559 2117 11 Plate	11
559 2031 10 Plate	22	559 2121 35 Cover 11 mm	20
559 2032 10 Shaft	22	559 2122 15 Cover	33
559 2033 00 Timing belt pulley assy	22	559 2123 33 Protection Guard Fan	33
559 2035 09 Ultrasonic module assy (Titan)	22	559 2125 10 Bolt	14
559 2045 10 Frame	09	559 2143 00 Gear wheel assy (Ø45mm)	13
559 2047 39 Metal bellows coupling	22	559 2144 09 Anvil frame assy (Ø45mm)	14 15
559 2051 09 Head housing assy	13	559 2155 09 setpoint device complete	26
559 2054 39 Linear guide	14 35	559 2161 09 Connecting rod	26
559 2058 36 Cover	09	559 2162 06 Mounting Kit for control box	26
559 2059 33 Frame	09	559 2164 11 Plate	11
559 2064 09 Gear spindle assy	11	559 2166 11 Plate	14
559 2065 10 Bushing	14	559 2168 39 Wrench	32
559 2066 15 Cover	10	559 2173 11 Cover	15
559 2080 09 Head modulle electronics	10	559 2174 09 Cover with light	09
559 2081 10 Carrier	11 12	559 2185 00 Timing belt pulley assy	15
559 2084 09 Carrier assy	11 12	559 2186 10 Timing belt pulley	15 34
559 2099 11 Carrier	22	559 2187 10 Timing belt 408 3MGT3	15 34

INDEX - ULTRASONIC WELDING

PART NUMBER	PAGE	PART NUMBER	PAGE
559 2188 09 Anvil frame assy (Ø25mm)	14 15	559 2887 09 Collar	34
559 2191 00 Cam assy (Ø45mm)	13	559 2904 11 Plate	34
559 2193 10 Washer	12	559 2920 00 Timing belt pulley	34
559 2194 10 Cylinder	12	559 2921 11 Cover	34
559 2195 10 Shaft	12	559 2923 11 Cover	34
559 2196 10 (Ø45mm) Pipe	14	559 2927 11 Plate	34
559 2197 11 (Ø45mm) Angle	14	559 3032 10 Plate	35
559 2198 10 Spring	12	559 3033 09 Holder	35
559 2199 09 Piston rod	12	559 3035 11 Plate	35
559 2200 09 Ultrasonic module assy (Steel)	22	559 3036 11 Cover	35
559 2201 09 Service Kit	32	559 3037 10 Plate	35
559 2213 39 Industrial Gas Springes GS-70-AD	18	559 3038 10 Spring holder	35
559 2227 13 Slider left	21	559 3039 11 Pipe	35
559 2228 13 Slider right - for Steel Sonotrode	21	559 3045 09 Linear guide puller assy	35
559 2229 13 Slider right - for Titan Sonotrode	21	559 3055 09 Plate assy	34
559 2305 09 Wheel Ø 25mm	34	559 3750 09 Puller base plate assy with counterroller	21
559 2408 09 Wheel Ø 45mm	34	559 6850 59 I2C Interface complete	25
559 2660 11 Carrier	34	559 6851 59 Generator Switch V1	28
559 2662 09 Cylinder assy	34	559 6901 59 Adapter cable	47
559 2663 11 Carrier	34	559 7023 09 Steel plate with roll assy	21
559 2667 11 Cover	34	559 7054 03 Safety catch	18
559 2669 10 Spring	34	559 9051 16 Steel plate	21
559 2673 11 Washer only by Ø 45mm	34	559 9052 11 Roller holer	21

INDEX - ULTRASONIC WELDING

PART NUMBER	PAGE	PART NUMBER	PAGE
559 9053 11 Roller	21		
559 9054 10 Roller shaft	21		
559 9055 16 Roler cover	21		
559 9173 59 Fan switch	33		
589 585.0 Cooling KPL ALLCAT	33		
57390 Wheel Box Ø 45 mm	32		
193183.0 Cable	25		
0318067 Push-in Fitting	12		
573871.0 Connecting cable 35kHz	25		
612448.0 Ultrasonic-generator MS SoniGEN	25		
7000621 Ultrasonic-generator with cables	25		
B14 - 460 DA 5mm Spacer Bolt	15		
CSA 3538 001 Screw	21		
NADUOP 32x08,0x9,0 Complete Pistons NADUOP032X08,0X9,0 NBR708	12		
O-Ring 6x3	12		
W060401039 Grease syringe	32		
WN56-5x30 Srew	18		
WN56-5x60 Screw	18		

INDEX - ULTRASONIC WELDING



VETRON TYPICAL EUROPE GmbH
Clara-Immerwahr-Str. 6
67661 Kaiserslautern, Germany
Tel.: +49 6301 320 75-0
Fax: +49 6301 320 75-11

info@vetrontypical.com
www.vetrontypical.com